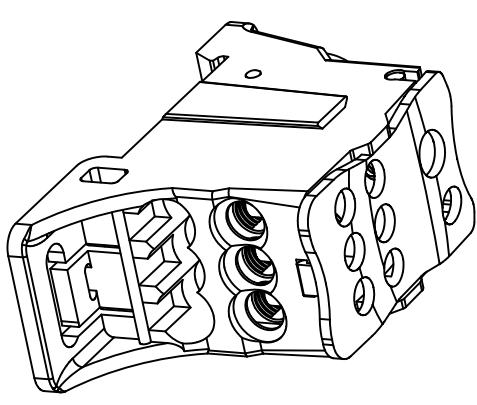
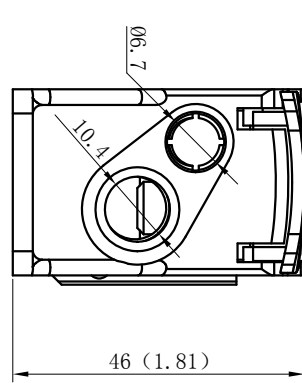
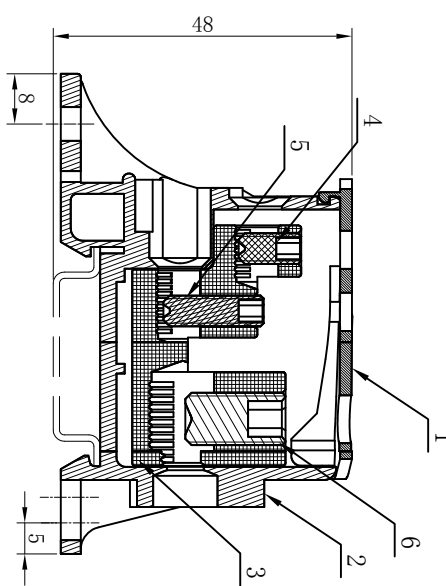
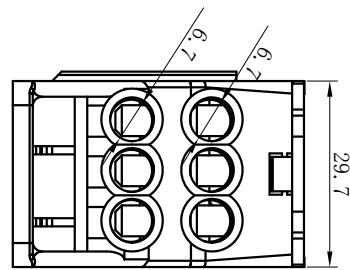
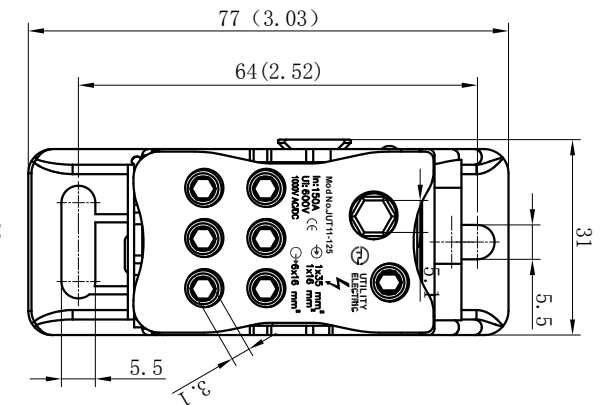


REV.	ECON. NO.	REVISE. NO.	REVISED	APPD.
版次	CON. 编号	次数	修订者	核准
R1	Drawing			



SPECIFICATIONS

1. Material:

- ①Cover: PC UL94-V0
 - ②Body: PA66 UL94-V0
 - ③Block: COPPER (NI PLATED)
 - ④Screw: STEEL (ZINC PLATED)
 - ⑤Screw: STEEL (ZINC PLATED)
 - ⑥Screw: STEEL (ZINC PLATED)
- 2. Electrical:**
- (1) Voltage rating/Current rating: 690V / 125A;
 - (2) Insulation resistance: DC1000V 1000 MΩMin;
 - (3) Contact resistance: 20 mΩ Max;
- 3. Mechanical:**
- (1) Torque force: 3.5N.m Max/4.5N.m Max;
 - (2) Stripping Length: 18~20mm;
 - (3) Connection Capacity: 2.5~16mm² / 10~35mm²;
 - (4) Operating temperature: -45° C to +105° C;
 - 4. Standard: IEC 60947-1;
 - 5. Certification: CE RoHS;
 - 6. Ingress Protection: IP20 Fingerproofed;

ZHEJIANG UTILITY ELECTRICAL CO., LTD
浙江尤提乐电气有限公司

TYPE NO.	名称:	TITLE:
型号: JUT11-125	Customer Drawing	Customer Drawing
APPD.	图号:	DWG. NO.:
核准:		C-JM1102-0
CHKD.	审核:	SCALE: FULL
DR. Jammy.ling	设计:	PAGE: 1/1
MATL	材料:	比例:
		单位: mm[inch]
		REV: R1

