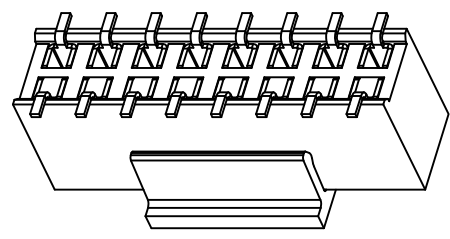
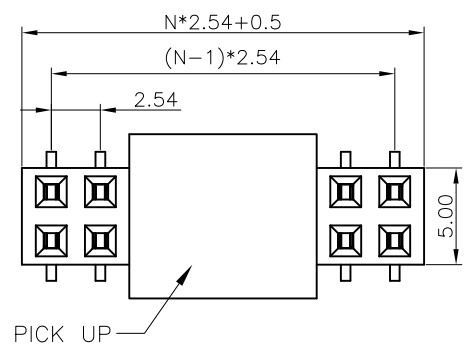


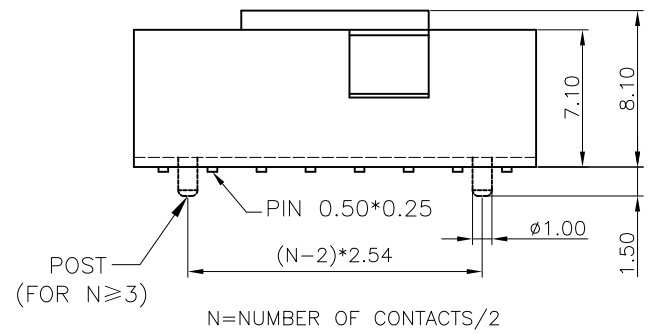
REV.	DESCRIPTION	DRAWN	CHECKED	APPROVED
A	NEW RELEASE	YCH 01/24/08'	~	LJC 01/24/08'
B	Arrange Drawing	JLZ 05/16/15'	~	



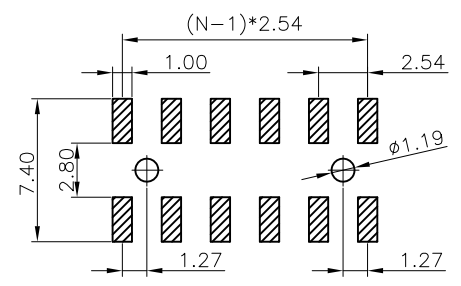
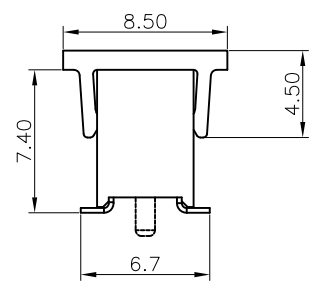
3D MODEL

NOTES:

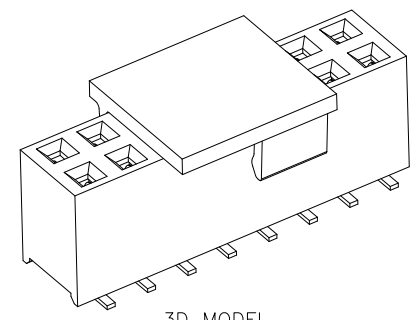
1. MATERIAL
 - 1.1 INSULATOR MATERIAL:THERMOPLASTIC(UL 94V-0).
 - 1.2 CONTACT MATERIAL:COPPER ALLOY.
2. SPECIFICATION
 - 2.1 TEMPERATUER: -40°C~+105°C.
 - 2.1 DIELECTRIC WITHSTANDING VOLTAGE:AC 500V AC.
 - 2.2 INSULATION RESISTANCE:1000MΩ min.
 - 2.3 CONTACT RESISTANCE:20mΩ max.
 - 2.4 CURRENT RATING:3A.
3. PART NUMBER: DS1023-11
4. PRODUCT NUMBER CODE:
 DS1023-11 - X X X X X X
 POST SUPPORT
 S:W/ POST
 X:W/O POST
 PACKING TYPE
 T:TRAY
 R:TAPE ON REEL
 B:TUBE
 PICK UP SUPPORT
 S: W/
 X: W/O
 CONTACT PLATING
 8: FULL GLOD FLASH
 0: SELECTIVE GLOD FLASH
 HOUSING COLOR
 B: BLACK
 No.of Contacts
 2*2 - 2*40



N=NUMBER OF CONTACTS/2



RECOMMEND PCB LAYOUT
(TOLERANCE=±0.05)



3D MODEL

GENERAL TOLERANCE		ANGLE TOLERANCE		PROJECTION		TITLE	FEMALE HEADER PITCH	
X.	±0.60	X.	±5°	UNITS	mm		2.54mm SMT TYPE H=7.1mm	
.X	±0.38	.X	±3°	SHEET SIZE	A4	SERIES	DS1023-11 SERIES	
.XX	±0.25	.XX	±2°	晨翔电子有限公司 CONNPLY CONNPLY ELECTRONIC CO. LTD				
DRAWING TYPE		CUSTOMER						
SCALE	1:1	SHEET	1 OF 1					
DRAWING NO.		C-DS1023-11-XXXXXX-B						