

REV.	DESCRIPTION	DRAWN	CHECKED	APPROVED
A	NEW RELEASE	LJC 04/27/05'		卢金春
B	ADD DIM	LL 09/21/06'		卢金春
C	胶芯加胶	YCH 04/09/08'		卢金春
D	整理图面	YCH 05/24/08'		

NOTES:

- ELECTRICAL CHARACTERISTICS:
  - CONTACT RESISTANCE: 20mΩ Max. INITIAL.
  - DIELECTRIC WITHSTANDING VOLTAGE: 500V AC(rms) FOR 1 MINUTE.
  - INSULATION RESISTANCE: 1000MΩ Min.
- ENVIRONMENT CHARACTERISTICS:
  - OPERATING TEMPERATURE: 0°C~+85°C.
  - STORAGE TEMPERATURE: -20°C~+70°C.
- PART NUMBER: DS1011
- PRODUCT NUMBER CODE: DS1011- X X X X X X

LOCK DIM.  
7: 7.90mm(standard) 4: 4.50mm(special)

HOUSING COLOR  
B:BLACK

CONTACT PLATING  
Si: Full Gold flash

HOUSING TYPE  
B: BIG LATCH HOUSING

MOUNTING TYPE  
S: STRAIGHT  
R: R/A

No.OF CONTACTS  
10 14 16 20  
26 30 34 40  
50 60 64

SERIES No.  
DS1011 SERIES

R/A TYPE

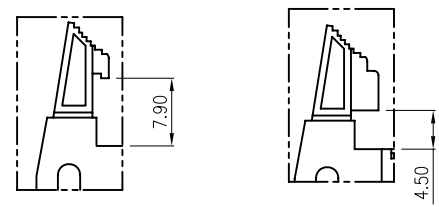
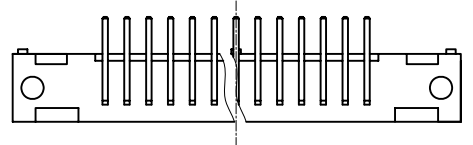
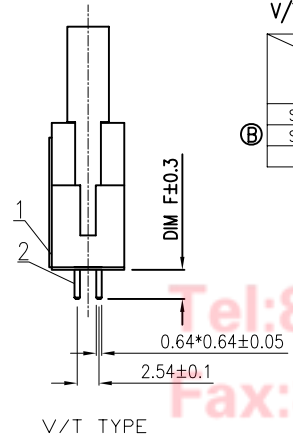
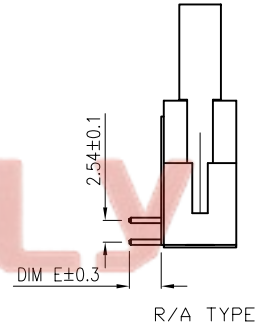
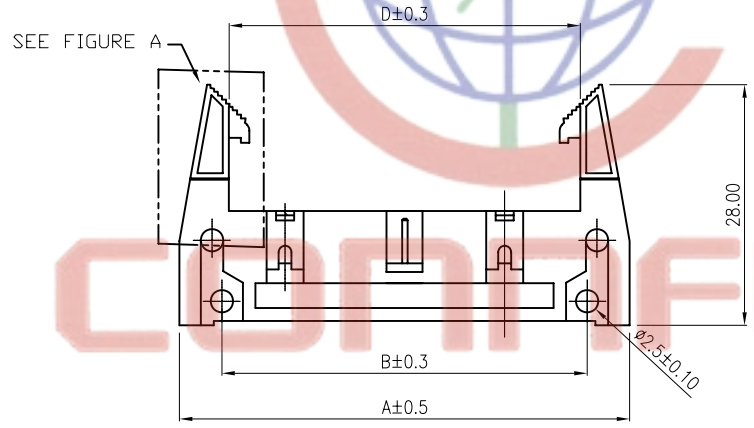
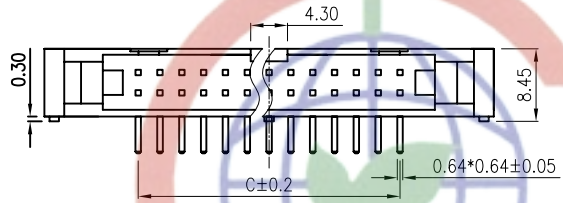
Latch Type	DIM.	E
Standard Latch		3.70

V/T TYPE

Latch Type	DIM.	F
Standard Latch		3.10
Standard Latch		8.10

AVAILABLE DIMENSION TABLE

No.of Contacts	10	14	16	20	26	30	34	40	50	60	64
A	32.1	37.18	39.72	44.80	52.42	57.50	62.58	70.20	82.90	95.60	100.68
B	22.20	27.28	29.82	34.90	42.52	47.60	52.68	60.30	73.00	85.70	90.78
C	10.16	15.24	17.78	22.86	30.48	35.56	40.64	48.26	60.96	73.66	78.74
D	18.10	23.18	25.72	30.47	38.42	43.50	48.58	56.20	68.90	81.60	86.68



STANDARD LATCH SPECIAL LATCH

FIGURE A

GENERAL TOLERANCE		ANGLE TOLERANCE	
X.	±0.60	X.	±5°
.X	±0.38	.X	±3°
.XX	±0.25	.XX	±2°

PROJECTION	TITLE	SHOUDED HEADER PITCH 2.54mm	
UNITS	mm		
SHEET SIZE	A4	SERIES	DS1011 SERIES

BIG LATCH HOUSING

ITEM	PART NAME	PART NO.	MATERILAS	FINISHED	DRAWING NO.	CUSTOMER
2	CONTACT		COPPER ALLOY	GOLD PLATED	DRAWING TYPE	CUSTOMER
1	HOUSING		THERMOPLASTIC	UL 94 V-0	SCALE	1:1 SHEET 1 OF 1
						C-DS1011-XXBXXX-D

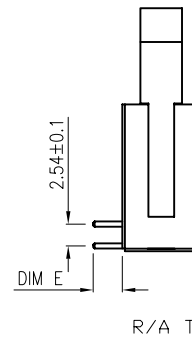
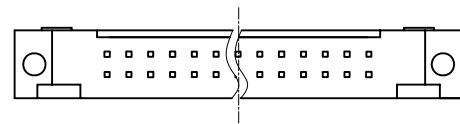
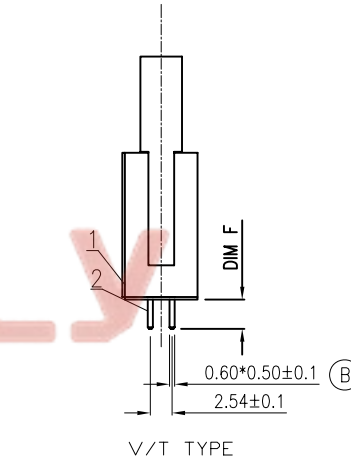
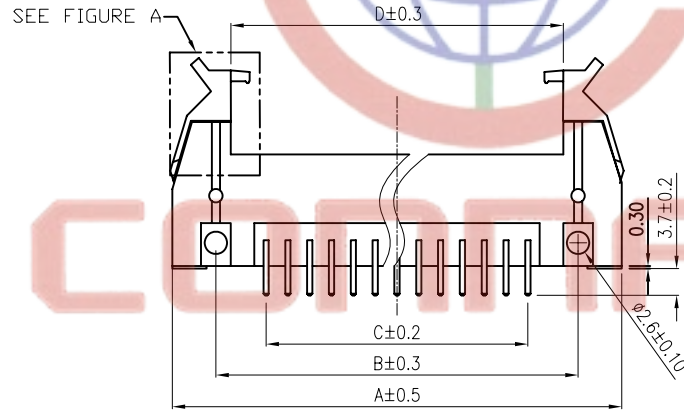
晨翔电子有限公司  
**CONNFLY CONNFLY ELECTRONIC CO. LTD**

REV.	DESCRIPTION	DRAWN	CHECKED	APPROVED
A	NEW RELEASE	LJC 04/27/05'		卢金春
B	图面绘制错误	LL 10/29/06'		卢金春
C	整理图面	YCH 04/24/08'		

NOTES:

- ELECTRICAL CHARACTERISTICS:
  - CONTACT RESISTANCE: 20mΩ Max. INITIAL.
  - DIELECTRIC WITHSTANDING VOLTAGE: 500V AC(rms) FOR 1 MINUTE.
  - INSULATION RESISTANCE: 1000MΩ Min.
- ENVIRONMENT CHARACTERISTICS:
  - OPERATING TEMPERATURE: 0°C~+85°C.
  - STORAGE TEMPERATURE: -20°C~+70°C.
- PRODUCT NUMBER CODE:  
DS1011- X X X X X X

- LOCK DIM.  
8: 8.60mm(standard latch)  
2: 4.20mm(short latch)  
S: 4.2mm(special latch)
- HOUSING COLOR  
B: BLACK  
A: GRAY
- CONTACT PLATING  
Ti: SELECTIVE GOLD FLASH  
Si: FULL GOLD FLASH
- HOUSING TYPE  
S: SMALL LATCH HOUSING
- MOUNTING TYPE  
S: STRAIGHT  
R: R/A
- No.OF CONTACTS  
10 14 16 20 26 30  
34 40 50 60 64



AVAILABLE DIMENSION TABLE

No.of Contacts	10	14	16	20	26	30	34	40	50	60	64
A	31.92	37.00	39.54	44.62	52.24	57.32	62.40	70.02	82.72	95.42	100.50
B	21.72	26.80	29.34	34.42	42.04	47.12	52.20	59.82	72.52	85.22	90.30
C	10.16	15.24	17.78	22.86	30.48	35.56	40.64	48.26	60.96	73.66	78.74
D	18.22	23.30	25.84	30.92	38.54	43.62	48.70	56.32	69.02	81.72	86.80

Latch Type	DIM. E	F
Short Latch	3.40	3.70
Specil Latch	3.40	3.70
Long Latch	3.40	3.70

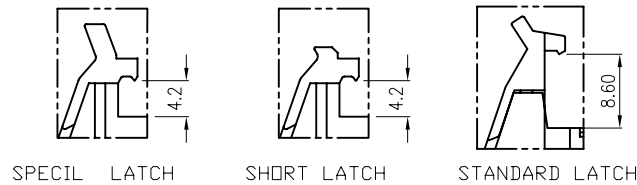


FIGURE A

GENERAL TOLERANCE		ANGLE TOLERANCE		PROJECTION	TITLE
X.	±0.60	X.	±5°		SHOUDED HEADER PITCH 2.54mm
.X	±0.38	.X	±3°	mm	
.XX	±0.25	.XX	±2°	A4	SERIES DS1011 SERIES

SMALL LATCH HOUSING

ITEM	PART NAME	PART NO.	MATERILAS	FINISHED	DRAWING NO.	CUSTOMER
2	CONTACT		COPPER ALLOY	GOLD PLATED		
1	HOUSING		THERMOPLASTIC	UL 94 V-0		

晨翔电子有限公司  
CONNFly CONNFly ELECTRONIC CO. LTD