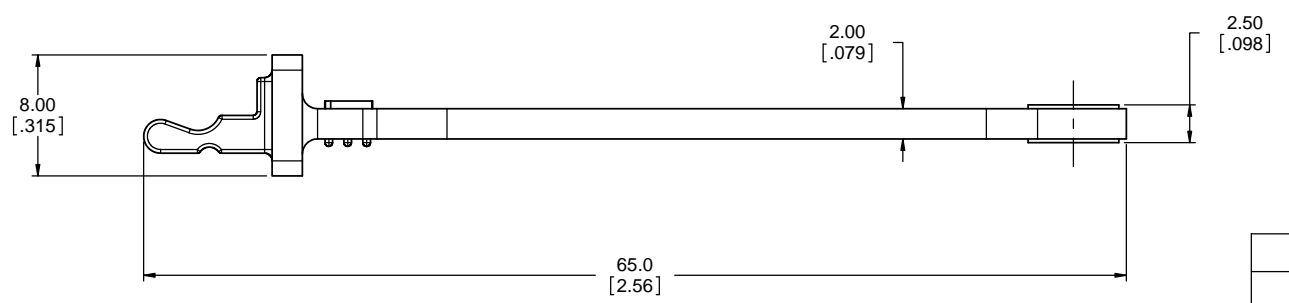
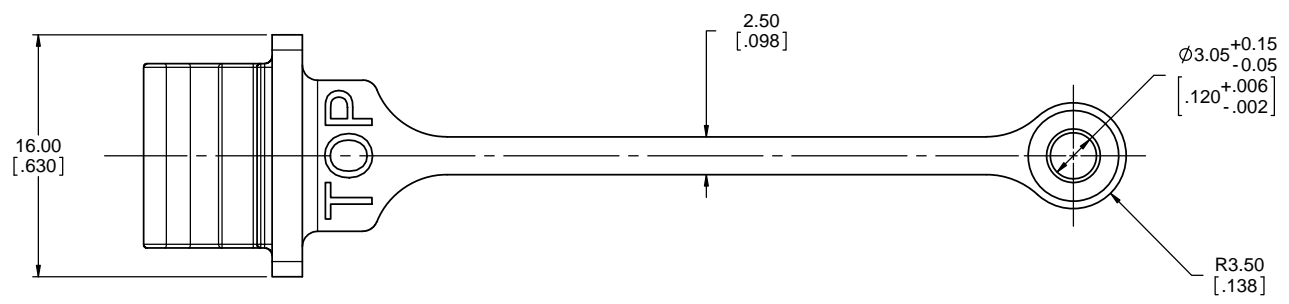
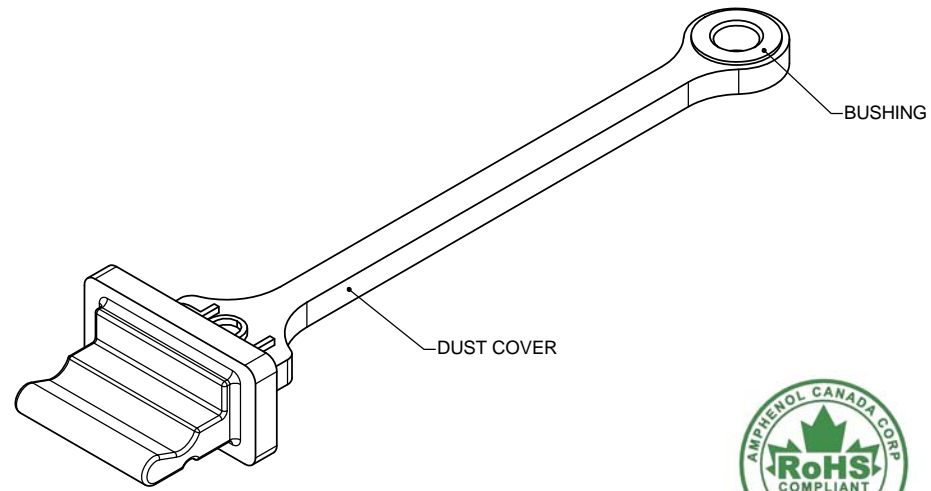


| REVISIONS | | | |
|-----------|-----------------------------|----------|-------|
| REV | DESCRIPTION, ECN, EAR NO. | DATE | APP'D |
| D | PRODUCT DRAWING (EAR 14230) | MAR12/14 | K.L. |



| PART NUMBER | COLOUR |
|------------------|--------|
| MUSB-2A111-014BP | GREY |
| MUSB-2A111-024BP | BLACK |



NOTES:

- MATERIAL:
 - DUST COVER - SILICONE RUBBER, COLOR - SEE TABLE 1.
 - BUSHING - BRASS, NICKEL PLATED.
- OPERATING TEMPERATURE: -40°C TO +105°C.
- PART IS ROHS COMPLIANT PER EU DIRECTIVE 2011/65/EU AND AMENDMENTS.
- SEE SHEET 2 FOR APPLICATION VIEWS.



| | | | |
|----------------------------|------------------------|-----------|----------|
| UNLESS SPECIFIED OTHERWISE | DRAWN | A.ESPIE | FEB19/14 |
| PRIMARY UNITS MILLIMETERS | CHECKED | | |
| SECONDARY UNITS INCHES | M.E. APP'D | | |
| REFERENCE IN PARENTHESES | Q.A. APP'D | | |
| GENERAL TOLERANCES | DWG APPR. | K.LAMBIE | MAR12/14 |
| 1 DECIMAL PLACE ±1.0 | ENG. REL. NO. | EAR 14230 | |
| 2 DECIMAL PLACES ±0.30 | REF. | | |
| 3 DECIMAL PLACES | THIRD ANGLE PROJECTION | | |
| ANGULAR DEGREES | DO NOT SCALE DRAWING | | |

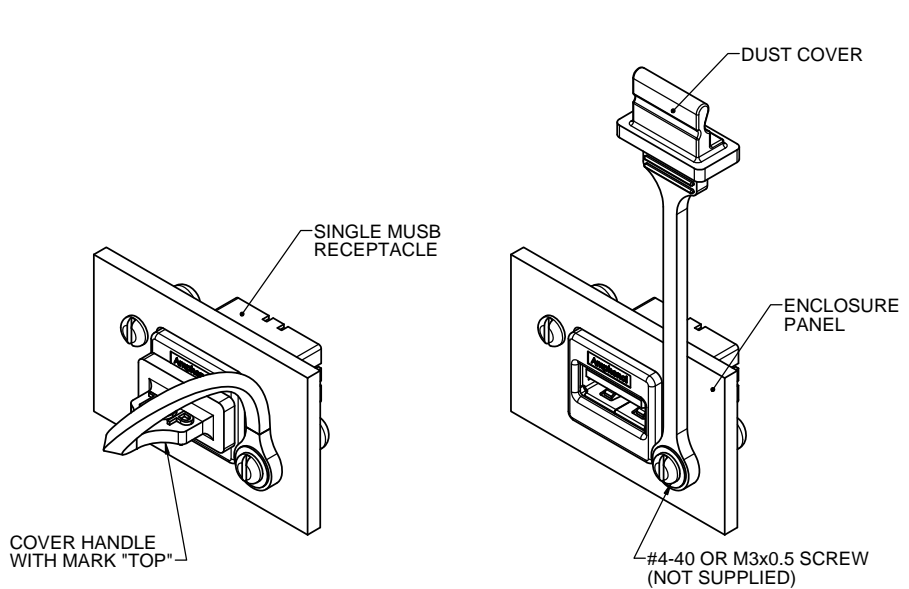
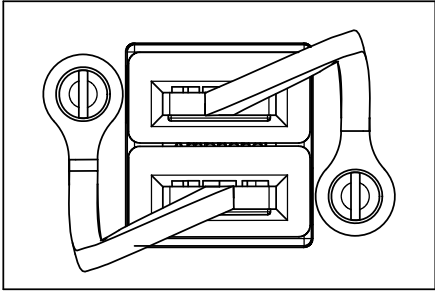
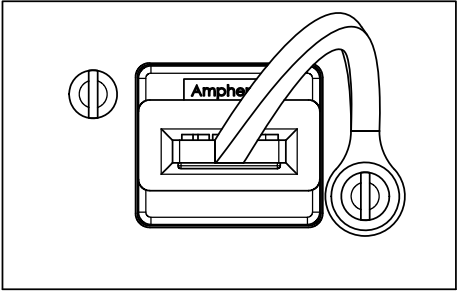
Amphenol Canada Corp.
www.amphenolcanada.com

MUSB SERIES, DUST COVER FOR RUGGED USB TYPE A, BULK PACKED, RoHS COMPLIANT

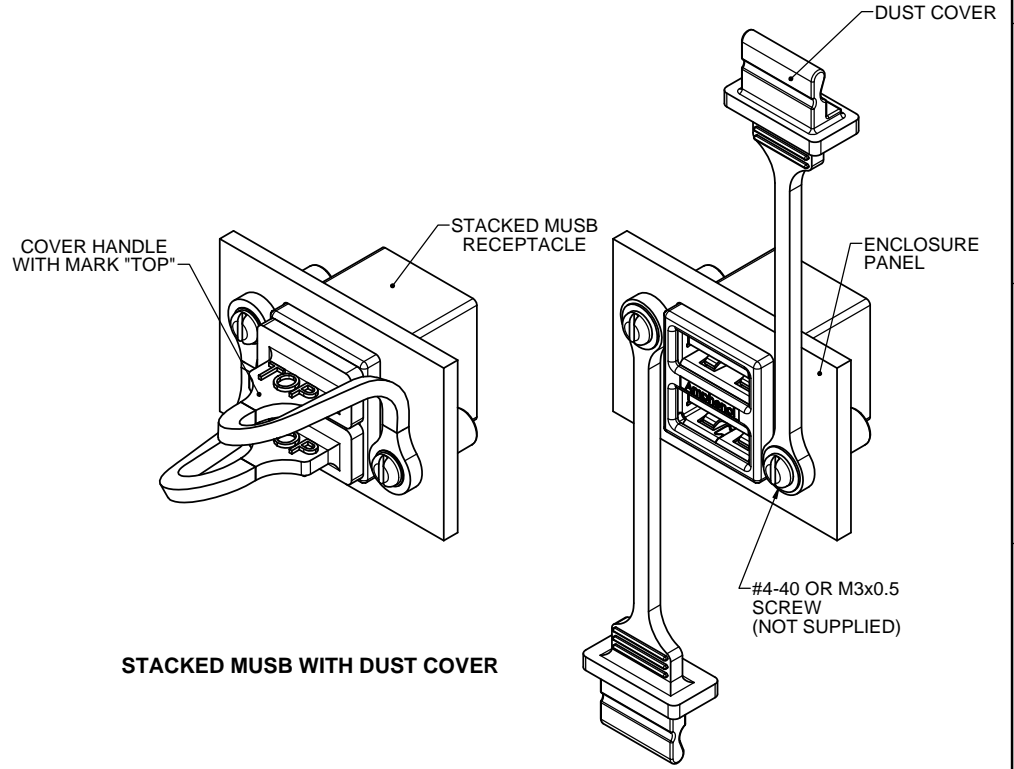
DWG. NO. P-MUSB-2A111-0X4BP REV D

CODE ID NO. 03554 DWG SIZE: X SCALE: 4:1 SHEET 1 OF 2

| REVISIONS | | | |
|-----------|-----------------------------|----------|-------|
| REV | DESCRIPTION, ECN, EAR NO. | DATE | APP'D |
| D | PRODUCT DRAWING (EAR 14230) | MAR12/14 | K.L. |



SINGLE MUSB WITH DUST COVER



STACKED MUSB WITH DUST COVER



| | | | |
|----------------------------|------------------------|-----------|----------|
| UNLESS SPECIFIED OTHERWISE | DRAWN | A.ESPIE | FEB19/14 |
| PRIMARY UNITS MILLIMETERS | CHECKED | | |
| SECONDARY UNITS INCHES | M.E. APP'D | | |
| REFERENCE IN PARENTHESES | Q.A. APP'D | | |
| GENERAL TOLERANCES | DWG APPR. | K.LAMBIE | MAR12/14 |
| 1 DECIMAL PLACE | ENG. REL. NO. | EAR 14230 | |
| 2 DECIMAL PLACES ±0.25 | REF. | | |
| 3 DECIMAL PLACES | THIRD ANGLE PROJECTION | | |
| ANGULAR DEGREES | DO NOT SCALE DRAWING | | |

Amphenol Canada Corp.
www.amphenolcanada.com

MUSB SERIES, DUST COVER FOR RUGGED USB TYPE A, BULK PACKED, RoHS COMPLIANT

DWG. NO. **P-MUSB-2A111-0X4BP** REV **D**

CODE ID NO. 03554 DWG SIZE: X SCALE: 3:1 SHEET 2 OF 2

THIS DOCUMENT CONTAINS PROPRIETARY INFORMATION AND SUCH INFORMATION MAY NOT BE DISCLOSED TO OTHERS FOR ANY PURPOSE OR USED FOR MANUFACTURING PURPOSES WITHOUT WRITTEN PERMISSION FROM AMPHENOL CANADA CORP.