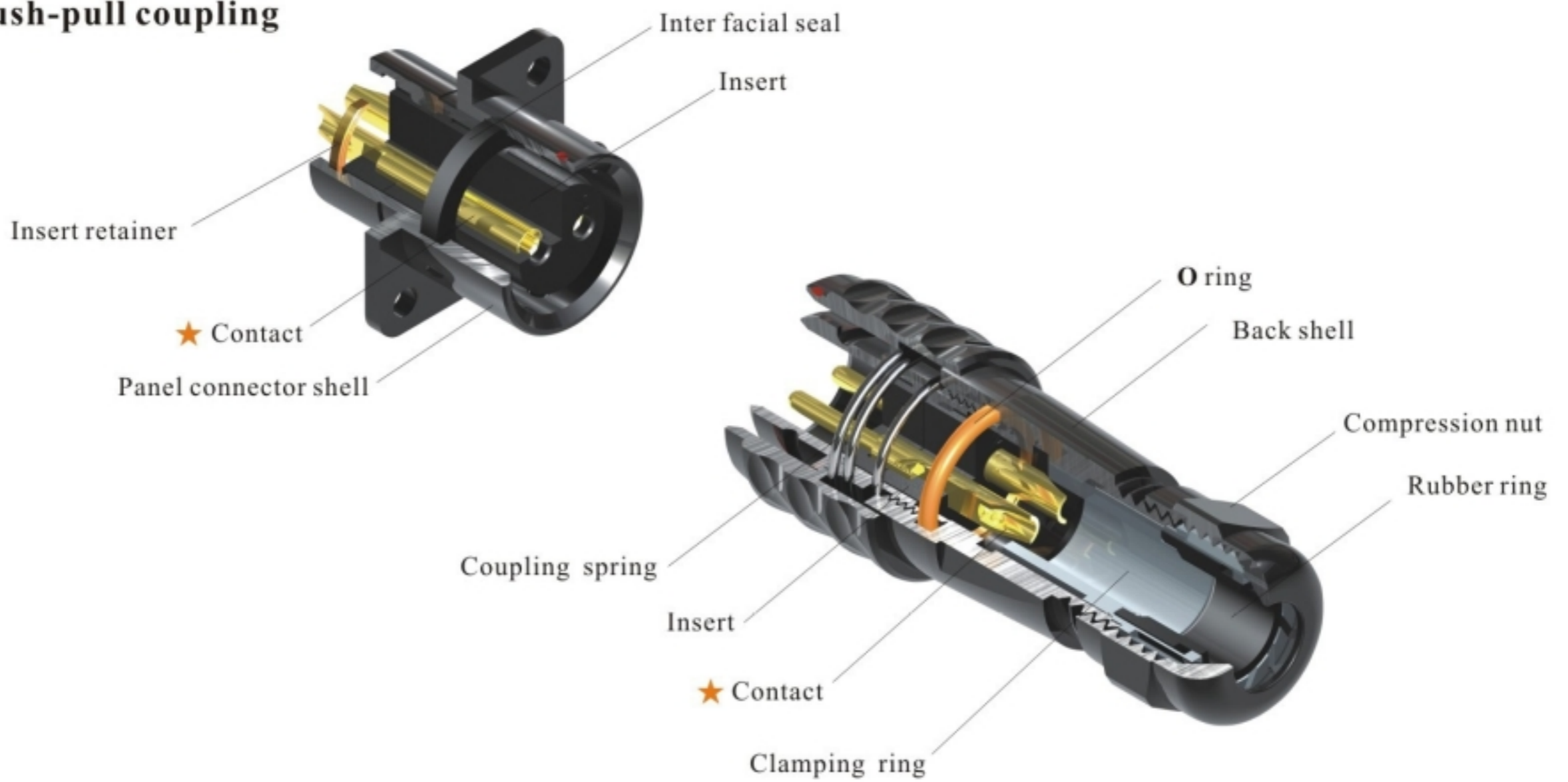


IP67



- SA Series IP67
- Push-pull coupling




★ Each side can be male or female contact

Material and spec

Coupling	Push-pull
Shell material	Anodized aluminium
Insert material	PPS, max temperature 260 °C
Contact material	Brass with gold plating
Termination	Solder: SA10, SA12, SA16, SA20, SA28 Crimp: SA16, SA20, SA28 Screw: SA20, SA28 (∅2.5, ∅3.5mm contact)
IP rating	IP67
Mating cycle	500
Temperature range	-40°C~+85°C
Insulation resistance (MΩ)	2000

SA12 Series

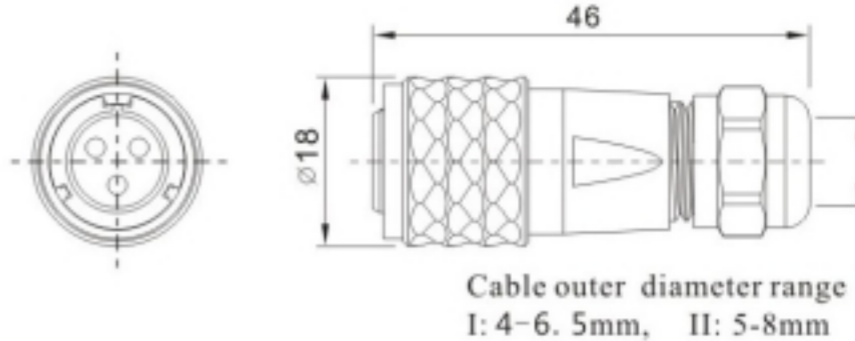



Cable connector
Mate with SA1211, SA1212, SA1213

SA1210/P — SA1210/S

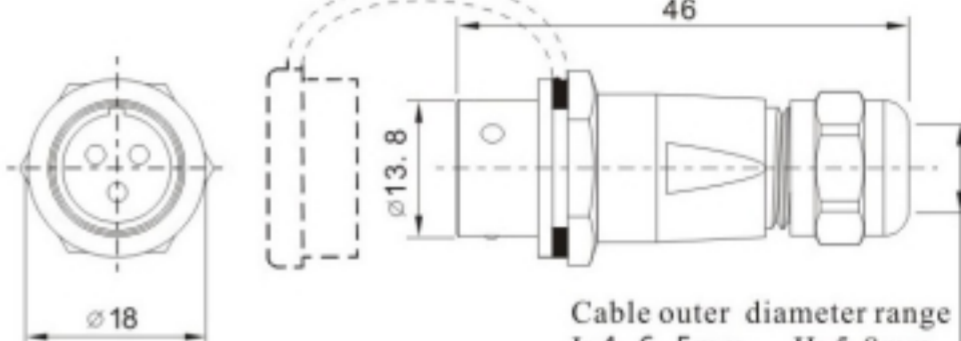

Number of contact
Cable outer diameter
I: 4-6.5mm, II: 5-8mm

Colour:
B: Black
S: Silver
L: Blue
G: Green
R: Red } special order

In-line cable connector
Mate with SA1210

SA1211/P — SA1211/S

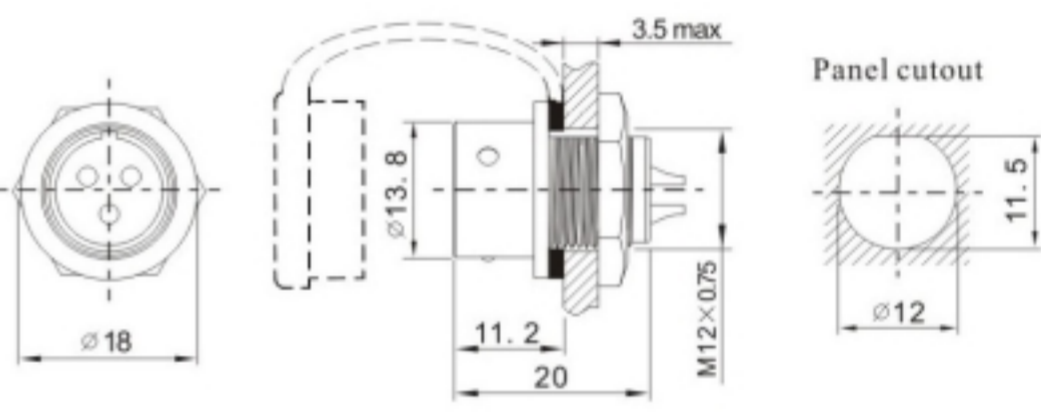




Rear-nut mount
Mate with SA1210

SA1212/P — SA1212/S

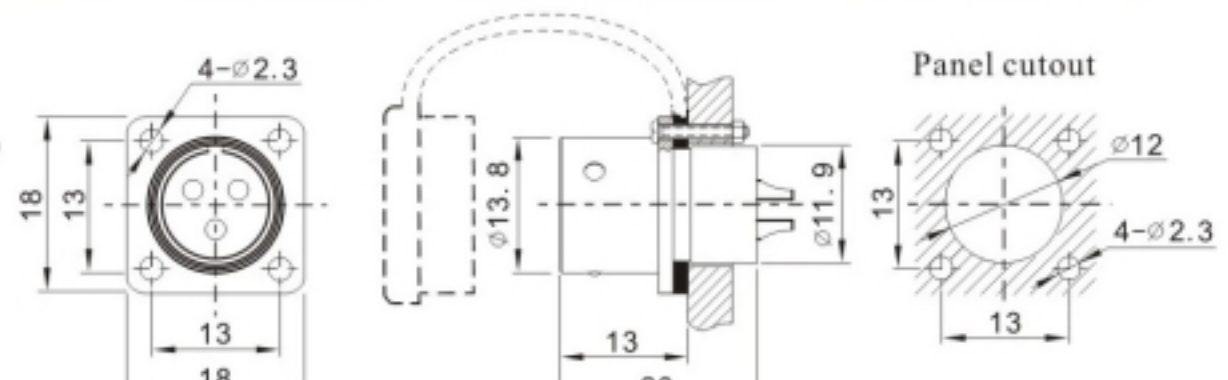
Number of contact

Colour:
B: Black
S: Silver
L: Blue
G: Green
R: Red } special order

Square flange
Mate with SA1210

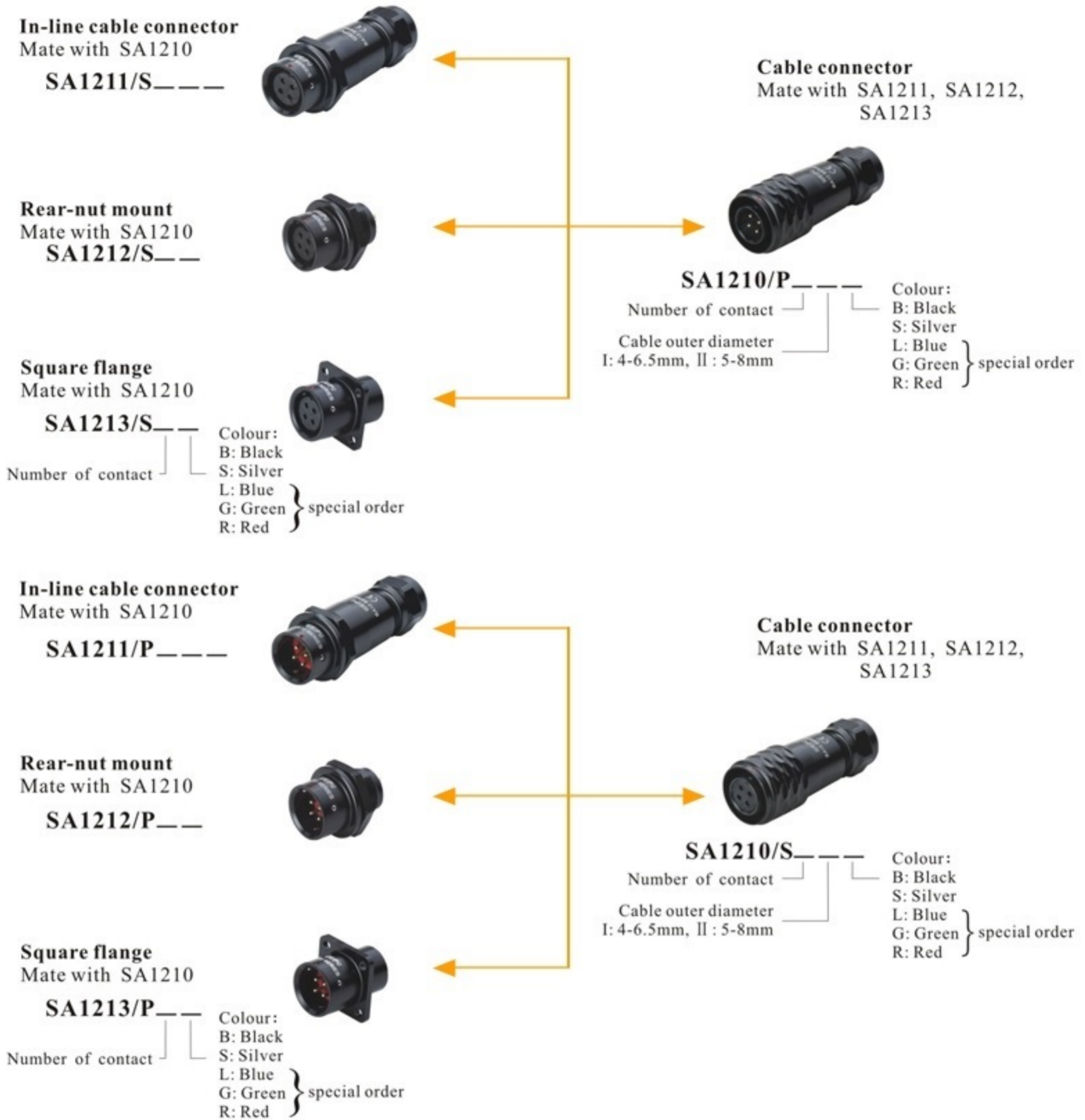
SA1213/P — SA1213/S



Solder contact spec

Number of contact	2	3	4	5	6	7	9
Male contact face view							
Rated current (A)	13	13	5	5	5	5	3
Contact diameter (mm)	1.6	1.6	1	1	1	1	0.7
Rated voltage (AC.V)	250	250	200	180	125	125	125
Test voltage(AC.V) 1 min	1500	1500	1500	1000	1000	1000	1000
Contact resistance (mΩ)	2	2	5	5	5	5	10
Wire size (mm ² / AWG)	≤2/14	≤2/14	≤0.785/18	≤0.785/18	≤0.785/18	≤0.785/18	≤0.785/18

● SA12 Series Mating diagram



Application

SA12

This state of the art, miniature IP67 waterproof connector is designed for any high-end products need a high-end connector to match with, such as medical devices, high-end equipments, testing or measuring equipments, communications, marine equipment etc., for data and power.