

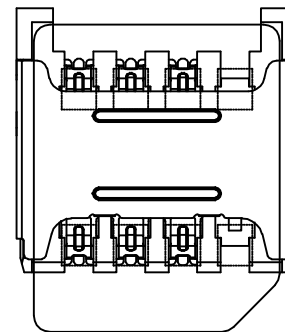
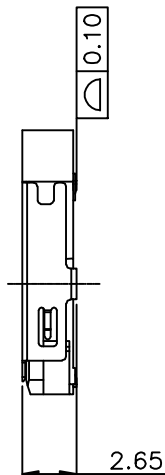
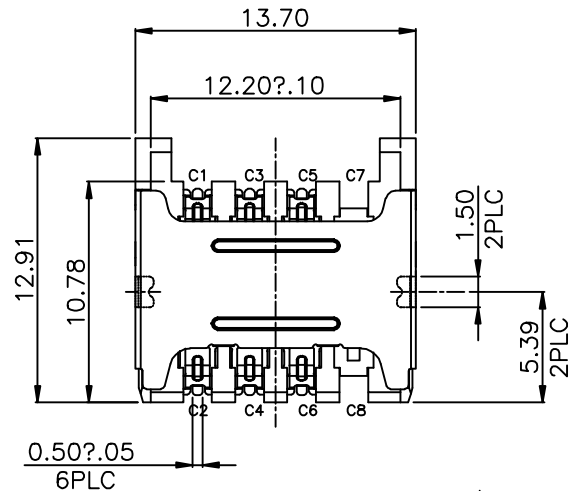
Customer drawings
Reference only

REV.	ECN.NO.	MODIFY.CONTENT	DATE
A		NEW	2016/08/08

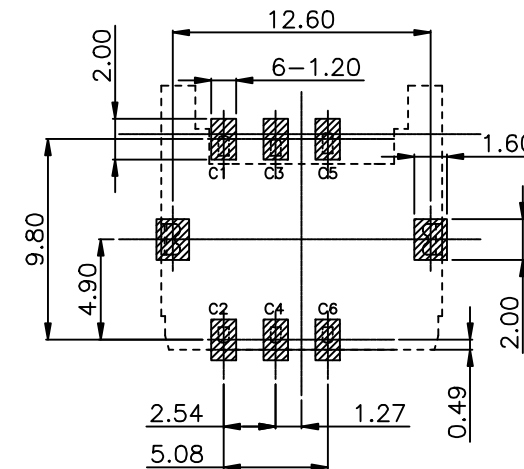
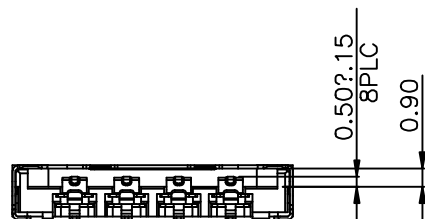
NOTES:

- MATERIAL:
HOUSING: LCP UL 94V-0
CONTACT: COPPER ALLOY
SHELL: STAINLESS STEEL
- FINISH :
CONTACT:GOLD FLASH PLATED ON CONTACT AREA;
GOLD FLASH PLATING ON SOLDER TAILS,
WITH ENTIRE CONTACT UNDERPLATED NICKEL
SHELL: NICKEL UNDERPLATED OVERALL,
GOLD FLASH PLATED ON SOLDER TAILS
- PART NO.:

ASMF S 265 BXX B R 077
SMT TYPE
APPEARANCE
PACK
R: TAPE REEL
COLOR
B: BLACK
CONTACT PLATED
01: Au1u"
03: Au3u"
05: Au5u"
10: Au10u"

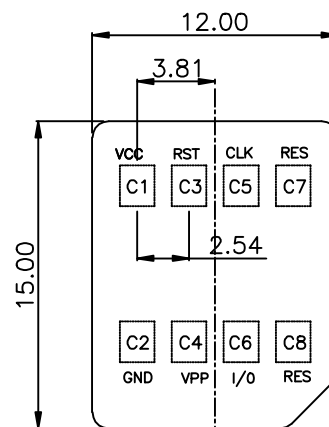


INSERT CARD



RECOMMENDED PCB LAYOUT(TOP VIEW)
GENERAL TOLERANCES:±0.05

MICRO SIM CARD	
PIN NO.	DESCRIPTION
C1	VCC
C3	RST
C5	CLK
C7	
C2	GND
C4	VPP
C6	I/O
C8	



MICRO SIM CARD
芯片面朝下视图

GENERAL TOLERANCE		DWG NO.	LZA1504-008	APPD:	WIND	Scale	1:1
X.±0.45	x.'±5'	Title	MICRO SIM 2.65H 6PIN CARD CONN.	CHKD:		UNIT	mm
.X±0.35	.x'±2'			DR:			
.XX±0.25	.xx'±1'	Part NO.	ASMFS265B01BR077	Date	2015/05/08		
.XXX±0.15	.xxx'±0.5'						
SHEET	1/1			东莞市捷圣泰电子科技有限公司 Dongguan JASSTA Electronics Co.,LTD			