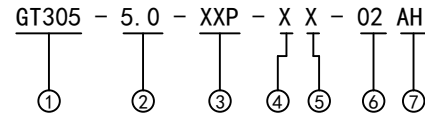
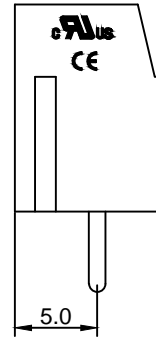
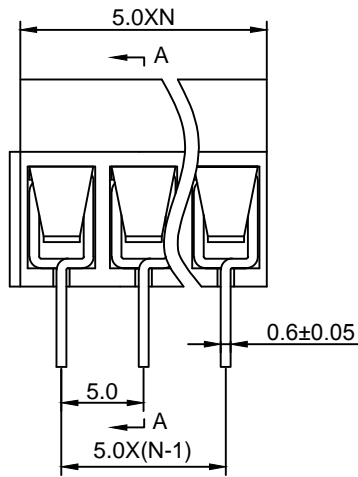
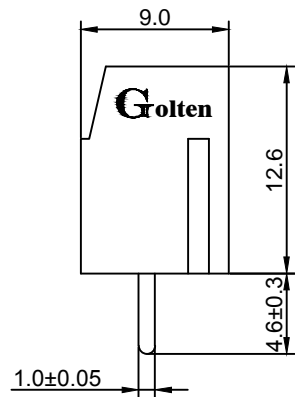


Material :

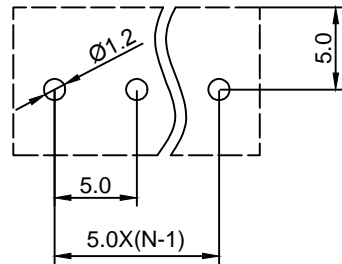
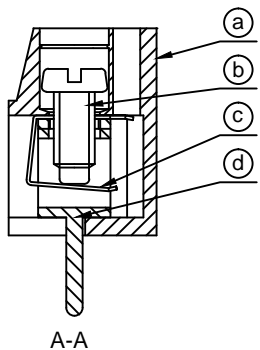
- (a) Housing : PBT(UL94V-0)
- (b) Screws : Steel , Cr³⁺Zn Plated
- (c) Wire Guard : Stainless Plated
- (d) Pin Header : Brass , Tin Plated

Electrical :

- | | | |
|------------------------------|----------------|--------------------|
| | UL | IEC |
| 1.Rated Voltage : | 300V | 250V |
| 2.Rated Current : | 10A | 15A |
| 3.Torque Value : | M3 , 4.43Lb.in | M3 , 0.5N.m |
| 4.Wire Range: | 22-14AWG | 2.5mm ² |
| 5.Stripping Length : | 5-6mm | |
| 6.Withstanding Voltage : | AC2000V/1Min. | |
| 7.Operating Temperature : | -30 °C~+120 °C | |
| 8.RoHS Compliance | | |
| 9.Safty Approval : | | |
| 10.Undimensioned Tolerances: | | |



- ① Series No.
- ② Pitch
- ③ Poles
- ④ 1 Single Pitch
2 Double Pitch
- ⑤ Color: 1 Grey
2 Blue(Standard For AH)
3 Black
4 Green
5 Orange
6 Red
7 Transparent
8 Yellow
9 White
- ⑥ Customer Request : 00--Standard
02- +-Screws
- ⑦ AH--Standard(PBT)



DETACHED LISTS	Grolten 宁波冠泰电子有限公司 NINGBO GOLTEN ELECTRONICS CO., LTD.													
	APPD: MA_8/13/16'	PART NO. GT305-5.0XXP-XX-02AH												
	CHKD: Yu_8/12/16'													
	DRFT: Chen_8/11/16'													
 THIRD ANGLE PROJECTION		<table border="1"> <tr> <td>DRAWING NO.</td> <td>REV</td> <td>1</td> </tr> <tr> <td></td> <td>SHEET</td> <td>1/1</td> </tr> <tr> <td>MM (INCH)</td> <td>DO NOT SCALE DRAWING</td> <td>SCALE</td> </tr> <tr> <td></td> <td></td> <td>1/1</td> </tr> </table>	DRAWING NO.	REV	1		SHEET	1/1	MM (INCH)	DO NOT SCALE DRAWING	SCALE			1/1
DRAWING NO.	REV	1												
	SHEET	1/1												
MM (INCH)	DO NOT SCALE DRAWING	SCALE												
		1/1												