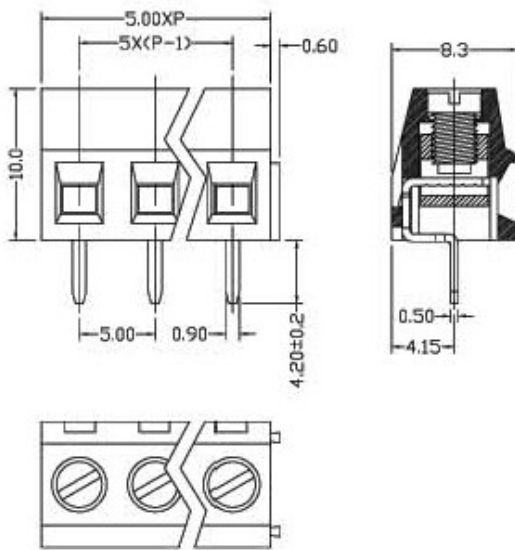


# XY127V-5.0



## Dimensions

Poles:	2P,3P-24P
Pitch:	5.0mm(.197")

## Electrical

Standard:	UL	IEC
Voltage Rating:	300V	250V
Current Rating:	12A	15A
Wire range:	16-14AWG	1.5mm <sup>2</sup>
Withstand voltage	AC2000V/Min	

## Mechanical

Torque:	0.5N.m(4.4Lb-In.)
Ambient temperature	-40°C~+105°C
Strip length	5-6mm

## Material

Housing:	PA66(UL 94V-0)
Pin header:	Brass, Tin Plated
Wire Cage:	Brass, Nickel Plated
Screw:	M3, steel, A3 Zn plated