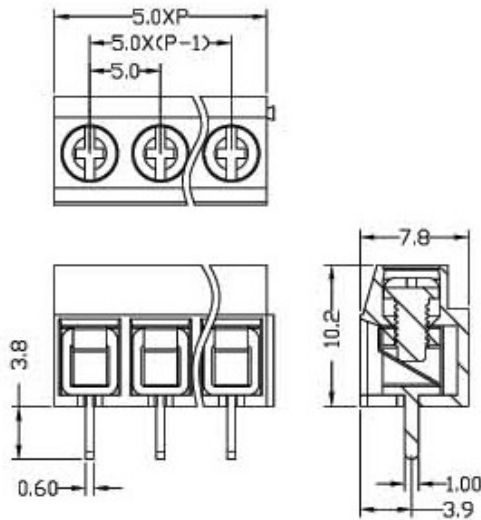


XY126V-5.0



Dimensions

Poles: 2P,3P-24P
Pitch: 5.0mm(.197")

Electrical

Standard: UL IEC
Voltage Rating: 300V 250V
Current Rating: 10A 10A
Wire range: 26-14AWG 0.5-2.5mm²
Withstand voltage AC2000V/Min

Mechanical

Torque: 0.4N.m(3.5Lb-In.)
Ambient temperature -40°C~+105°C
Strip length 6-7mm

Material

Housing: PA66(UL 94V-0)
Wire guard: Stainless Steel
Pin header: Brass, Tin Plated
Screw: M2.5, steel, A3 Zn plated