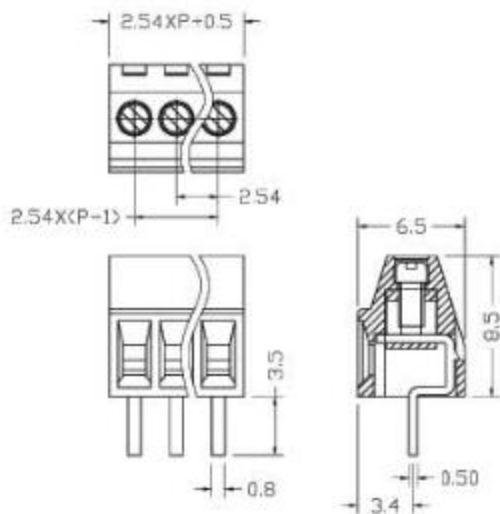


308-2.54



Dimensions

| | |
|--------|---------------|
| Poles: | 2P,3P-12P |
| Pitch: | 2.54mm(.100") |

Electrical

| | | |
|-------------------|-------------|--------------------|
| Standard: | UL | IEC |
| Voltage Rating: | 150V | 130V |
| Current Rating: | 6A | 8A |
| Wire range: | 26-18AWG | 1.0mm ² |
| Withstand voltage | AC1250V/Min | |

Mechanical

| | |
|---------------------|-------------------|
| Torque: | 0.1N.m(0.9Lb-In.) |
| Ambient temperature | -40°C~+105°C |
| Strip length | 4.5mm |

Material

| | |
|-------------|-------------------------|
| Housing: | PA66(UL 94V-0) |
| Pin header: | Brass,Tin Plated |
| Wire Cage: | Brass,Nickel Plated |
| Screw: | M1.6,steel,A3 Zn plated |