

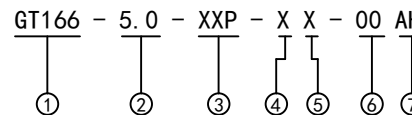
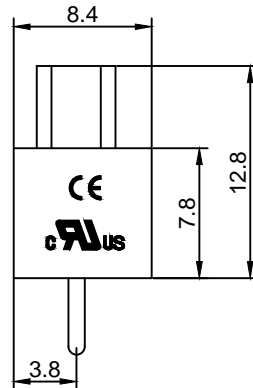
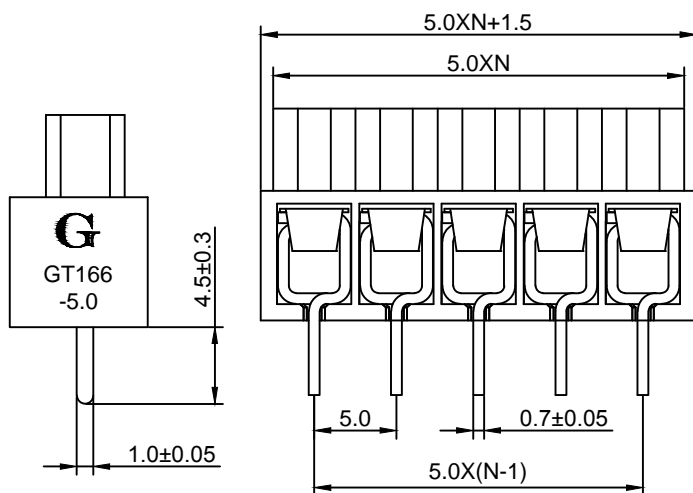
Material :

- (a) Housing : PA66(UL94V-0)
- (b) Screws : Steel , Cr³⁺Zn Plated
- (c) Pin Header : Brass , Tin Plated
- (d) Contact : Stainless Plated

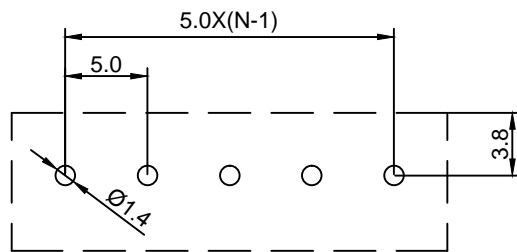
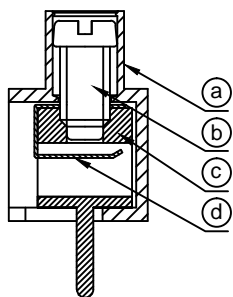
Electrical :

- | | | |
|------------------------------|----------------|------------------------|
| | UL | IEC |
| 1.Rated Voltage : | 300V | 250V |
| 2.Rated Current : | 15A | 22A |
| 3.Torque Value : | M3 , 4.43Lb.in | M3 , 0.5N.m |
| 4.Wire Range: | 22-12AWG | 1.0-2.5mm ² |
| 5.Stripping Length : | 6-7mm | |
| 6.Withstanding Voltage : | AC2000V/1Min. | |
| 7.Operating Temperature : | -40 °C~+105 °C | |
| 8.RoHS Compliance | | |
| 9.Safety Approval : | | |
| 10.Undimensioned Tolerances: | | |

Pitch Range In mm		Nominal Dimension Range In mm				—	∩	∇
≤6	6 ~ 10	10 ~ 24	≤30	30 ~ 60	60 ~ 100	100 ~ 150	>150	0.05/10
±0.10	±0.15	±0.25	±0.20	±0.30	±0.50	±0.70	±1.00	±0.1°



- ① Series No.
- ② Pitch
- ③ Poles
02 02Contacts
03 03Contacts
...
24 24Contacts
- ④ 1 Single Pitch
2 Double Pitch
- ⑤ Color: 1 Grey
2 Blue
3 Black
4 Green(Standard For AH)
5 Orange
6 Red
7 Transparent
8 Yellow
9 White
- ⑥ Customer Request : 00--Standard
- ⑦ AH--Standard(PA66)



DETACHED LISTS	Grolten 宁波冠泰电子有限公司 NINGBO GOLTEN ELECTRONICS CO., LTD.							
	APPD: MA_6/25/17'	PART NO. GT166-5.0-XXP-XX-00AH						
	CHKD: Yu_6/24/17'							
	DRFT: Chen_6/23/17'							
 THIRD ANGLE PROJECTION		<table border="1"> <tr> <td>REV</td> <td>1</td> </tr> <tr> <td>SHEET</td> <td>1/1</td> </tr> <tr> <td>SCALE</td> <td>1/1</td> </tr> </table>	REV	1	SHEET	1/1	SCALE	1/1
REV	1							
SHEET	1/1							
SCALE	1/1							
 MM (INCH) DO NOT SCALE DRAWING								