

XY167V-5.0

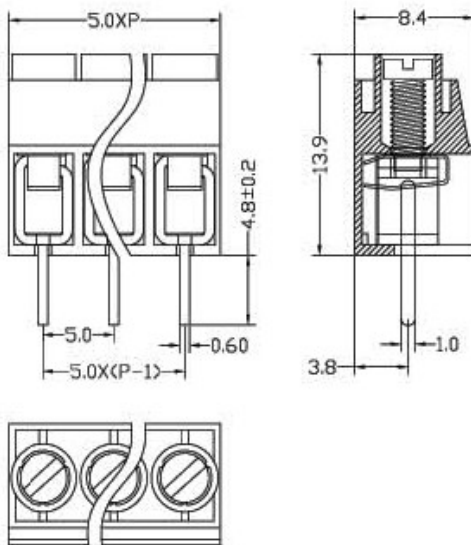


Dimensions

Poles:	2P,3P-12P
Pitch:	5.0mm(.197")

Electrical

Standard:	UL	IEC
Voltage Rating:	300V	250V
Current Rating:	15A	22A
Wire range:	22-12AWG	2.5mm ²
Withstand voltage	AC2000V/Min	



Mechanical

Torque:	0.4N.m(3.5Lb-In.)
Ambient temperature	-40°C~+105°C
Strip length	6-7mm

Material

Housing:	PA66(UL 94V-0)
Wire guard:	Stainless Steel
Pin header:	Brass, Tin Plated
Screw:	M2.5, steel, A3 Zn plated