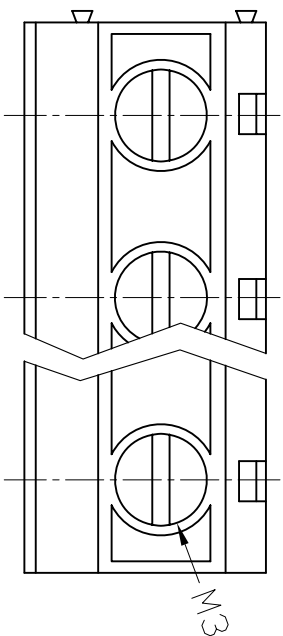
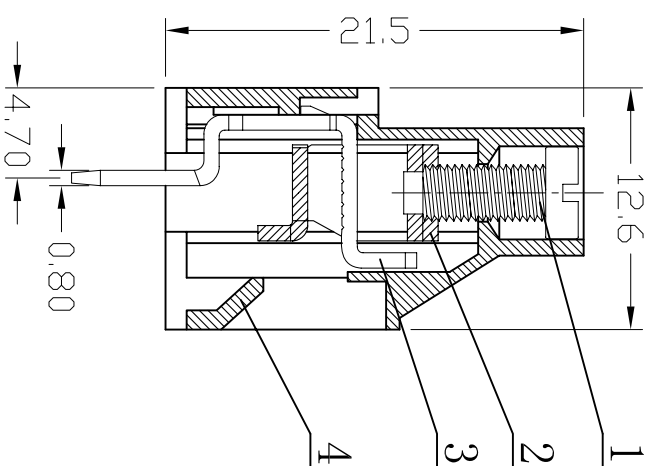
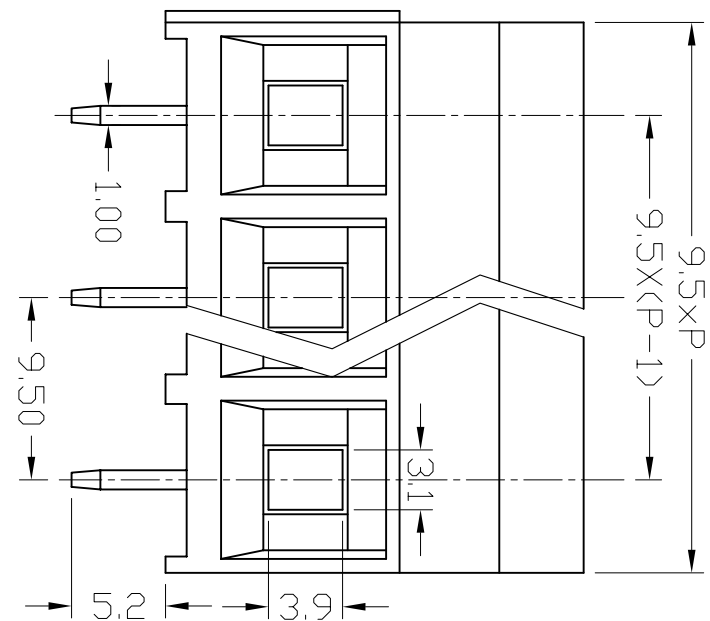


序号/Rev.No.	名称/Title	文件编号/File No.
1	XY130 螺丝	QJ/XYT-2142101
2	XY130 铁方块	QJ/XYT-2142102
3	XY130 端子	QJ/XYT-2142103
4	XY130 塑件	QJ/XYT-2142104



300V 30A 26-10AWG 4.0mm²
Poles: 2P&3P-24P
Pitch: 9.5mm (.375")

Materials

Housing: PA66 (UL 94V-0)
Solder Pin: Brass, Tin Plated
Wire Cage: Steel A3, Nickel Plated
Screw: M3, Steel (A3), Zinc Plated
Torque: 0.5N. m

设计/Designed by: 绘图/Drawing by: 审核/Checked by: 批准/Approved by: 未注公差/General Tolerance:

图名/Title	文件编号/File No.	X	X'
XY130-9.5	QJ/XYT-2242100	±0.2	±0.2
产品图		±0.1	±0.1
		±0.05	±0.05
		±0.01	±0.01