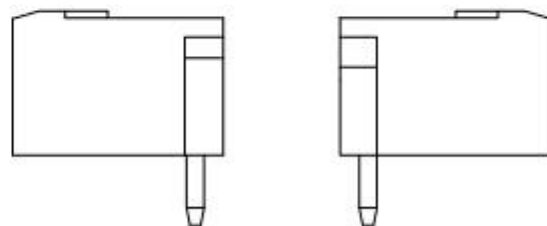
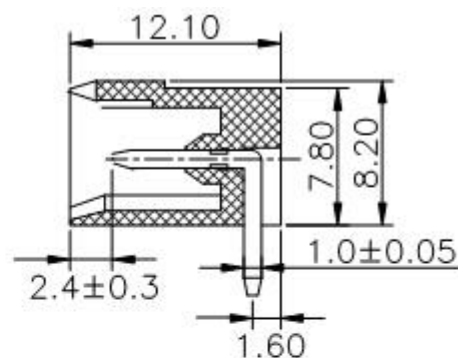
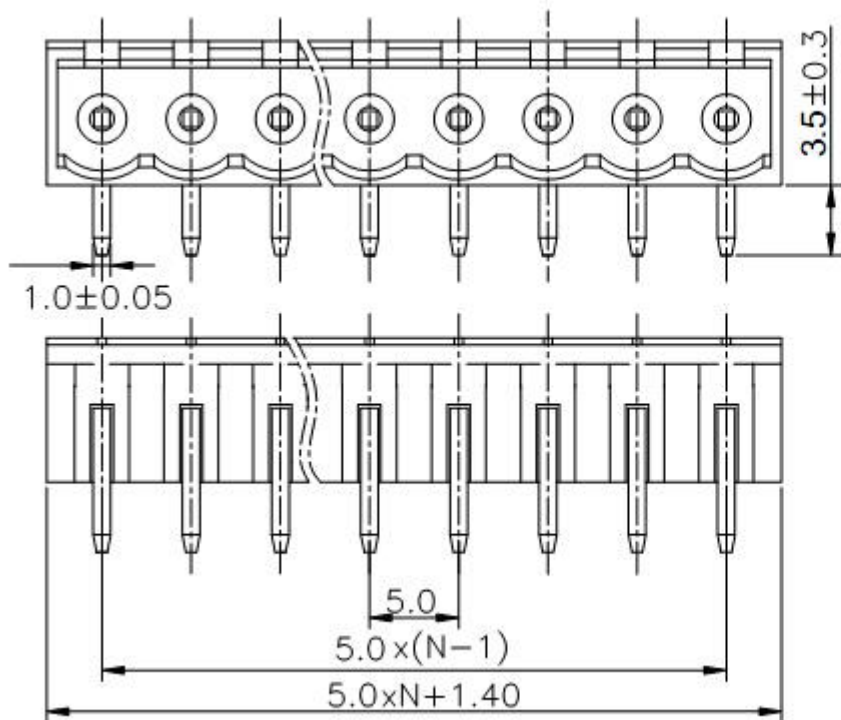




**PART NO.:2EGTRC-5.0**

- Pluggable Terminal Block,
- Nominal Current(UL): 15A
- Rated Voltage(UL): 300V
- Number of Positions: 2P-24P
- Standard Color: Green

**DRAWINGS:**



## TECHINICAL DATA:

Electrical		
Standard	UL	IEC
Rated voltage	300V	320V
Rated Current	15A	20A
Wire Range	—	—
Withstanding voltage	AC2000V/1Min	
Mechanical		
Torque	—	
Operation temperature	-40°C~+105°C	
Strip length		
Dimensions		
Pitch	5.0mm	
Poles	2P-24P	
Material		
Housing	PA66,UL94V-0	
Screws	—	
Cage	—	
Pin header	Brass,SnCe	

## APPLICATION:

Elevator, Industry, Security, Instrument, Machinery, Communication, Lighting, Construction, Electrical

## MATCHING PARTS:

Female Male	2EGTK-5.0	2EGTKA/KB-5.0
2EGTRC-5.0	√	√