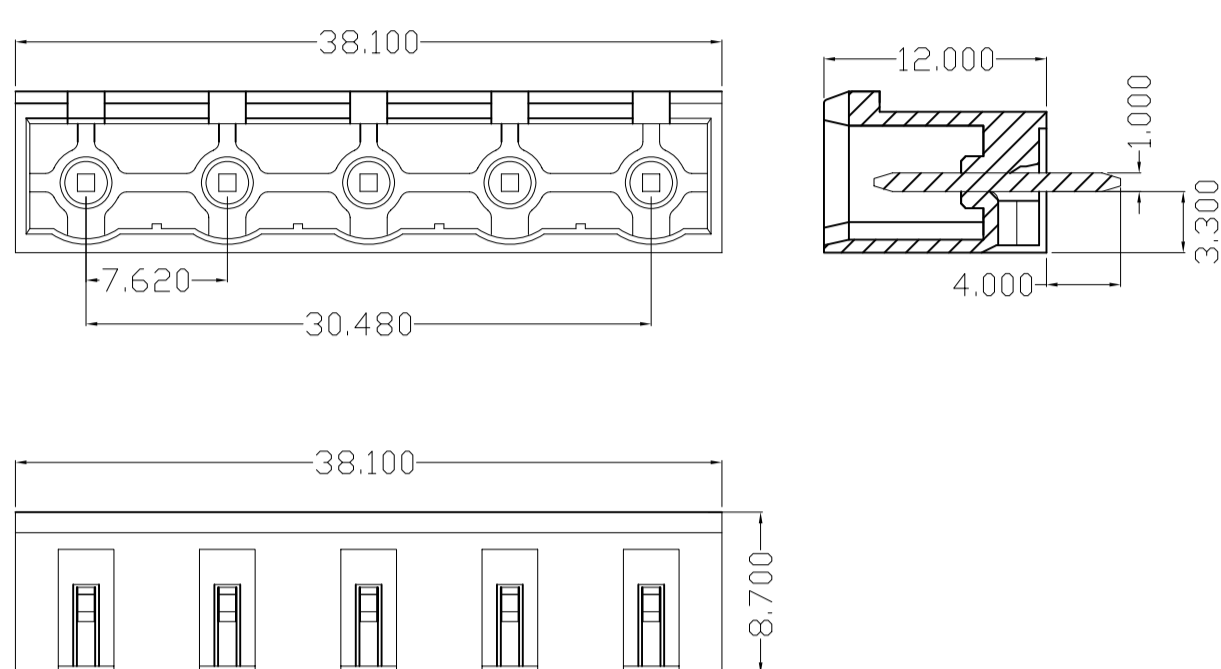


PART NO.: 2EGTVC-7.62

- Pluggable Terminal Block,
- Nominal Current (IEC): 20A
- Rated Voltage (IEC): 400V
- Number of Positions: 2P-12P
- Standard Color: Green
- Contact Surface: Tin
- Connection Method: Soldering

DRAWINGS:



TECHINICAL DATA:

Electrical		
Standard	UL	IEC
Rated voltage	300V	400V
Rated current	15A	20A
With standing voltage	4.0KV	
Mechanical		
Ambient temperature	-40°C~+105°C	
Dimensions		
Pitch	7.62mm(.300")	
Poles	2P-12P	
Material		
Housing	PA66.UL94V-0	
Pin header	Brass,Tin plated	

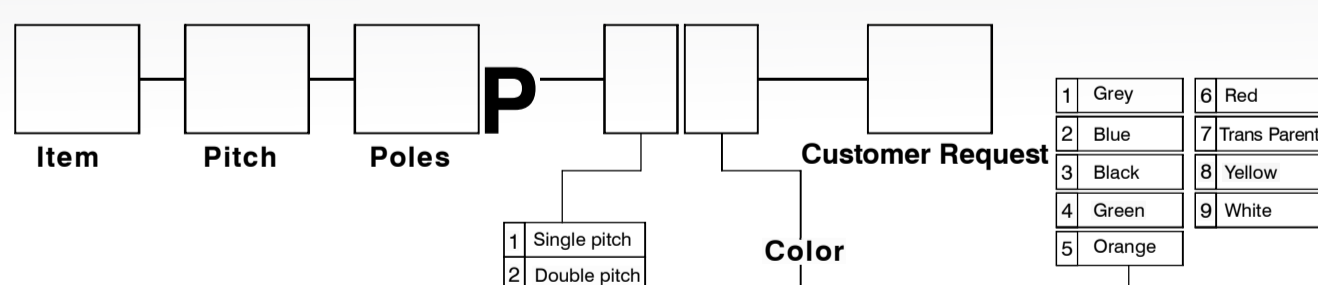
APPLICATION:

Elevator, Industry, Security, Instrument, Machinery, Energy, Communication, Lighting, Construction, Electrical

MATCHING PARTS:

female parts \ male parts	2EGTK-7.62	2EGTKM-7.62	2EGTKA-7.62	2EGTKAM-7.62	2EGTKB-7.62	2EGTKBM-7.62	2EGTKD-7.62	2EGTKDM-7.62
2EGTVC-7.62	•	•	•	•	•	•	•	•

HOW TO ORDER:



PACKING:

Item	Number of Poles	PCS/Box A	PCS/Box B	PCB/Carton	GW/CTNS(KG)
2EGTVC-7.62	2		1600	6400	8
	3		1000	4000	7
	4		800	3200	8
	5		950	3800	11
	6		800	3200	11
	7		650	2600	10
	8		600	2400	11
	9		500	2000	10
	10		450	1800	10
	11		425	1700	11
	12		375	1500	10

Remark: Box A Dimension: 20*13.5*7(cm); Box B Dimension: 26*20*10(cm)
Carton Dimension: 42*28*23(cm)