

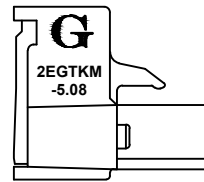
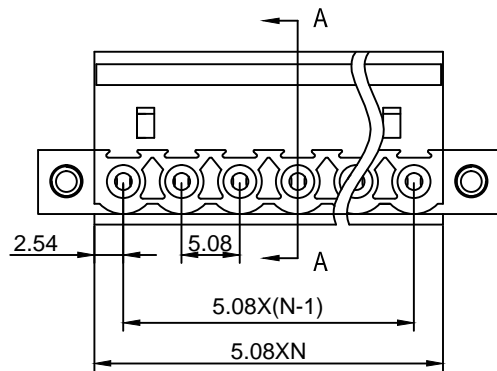
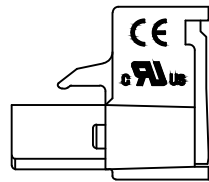
**Material :**

- (a) Housing : PA66(UL94V-0)
- (b) Cover : PA66(UL94V-0)
- (c) Contact : Phosphor Bronze
- (d) Cage : Brass , Ni Plated
- (e) Screws : Steel , Cr<sup>3+</sup>Zn Plated

**Electrical :**

- 1.Rated Voltage : 300V UL IEC 320V
- 2.Rated Current : 15A IEC 20A
- 3.Torque Value : M2.5 , 3.54Lb.in M2.5 , 0.4N.m
- 4.Wire Range: 28-12AWG 2.5mm<sup>2</sup>
- 5.Stripping Length : 7-8mm
- 6.Withstanding Voltage : AC1600V/1Min.
- 7.Operating Temperature : -40 °C~+105 °C
- 8.RoHS Compliance
- 9.Safety Approval
- 10.Undimensioned Tolerances:

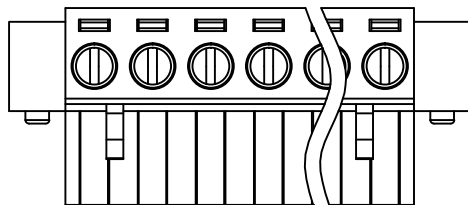
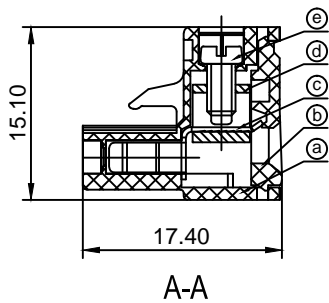
Pitch Range In mm		Nominal Dimension Range In mm				-	∩	∇
≤6	6 ~ 10	10 ~ 24	≤30	30 ~ 60	60 ~ 100	100 ~ 150	>150	0.05/10
±0.10	±0.15	±0.25	±0.20	±0.30	±0.50	±0.70	±1.00	±0.1°



2EGTKM - 5.08 -XXP - X X - XX AH

① ② ③ ④ ⑤ ⑥ ⑦

- ① Series NO.
- ② Pitch
- ③ Poles  
02 02Contacts  
03 03Contacts  
...  
24 24Contacts
- ④ 1 Single Pitch  
2 Double Pitch
- ⑤ Color: 1 Grey  
2 Blue  
3 Black  
4 Green(Standard For AH)  
5 Orange  
6 Red  
7 Transparent  
8 Yellow  
9 White
- ⑥ Customer Request: 00--Standard M2.5
- ⑦ AH--Standard(PA66)



DETACHED LISTS	<b>Grolten</b> 宁波冠泰电子有限公司 NINGBO GOLTEN ELECTRONICS CO., LTD.										
	APPD: MA_5/26/15'	PART NO. 2EGTKM-5.08-XXP-XX-00AH									
	CHKD: Yu_5/25/15'										
	DRFT: Chen_5/24/15'										
 THIRD ANGLE PROJECTION		<table border="1"> <tr> <td>DRAWING NO.</td> <td>REV</td> <td>1</td> </tr> <tr> <td>DO NOT SCALE DRAWING</td> <td>SHEET</td> <td>1/1</td> </tr> <tr> <td>SCALE</td> <td>1/1</td> <td></td> </tr> </table>	DRAWING NO.	REV	1	DO NOT SCALE DRAWING	SHEET	1/1	SCALE	1/1	
DRAWING NO.	REV	1									
DO NOT SCALE DRAWING	SHEET	1/1									
SCALE	1/1										