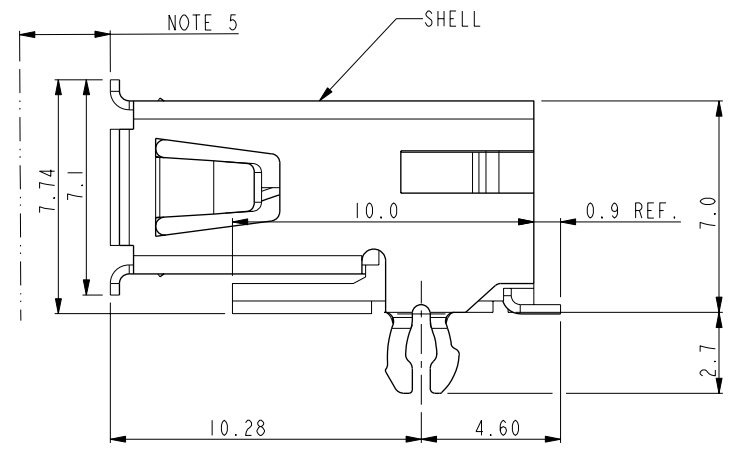
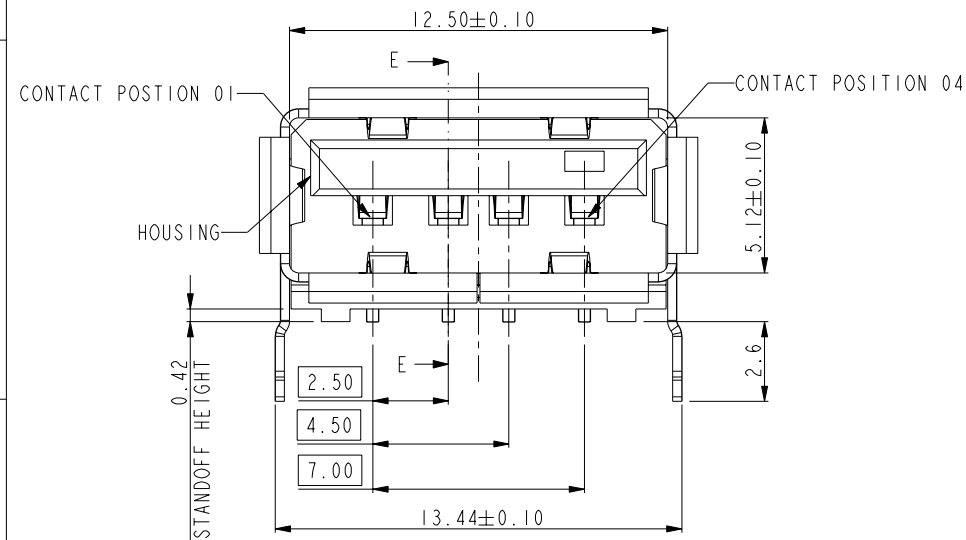


- NOTES:
1. MATERIAL:
 TERMINAL: COPPER ALLOY
 SHELL: COPPER ALLOY
 HOUSING: THERMOPLASTIC, UL94 V-0;
 2. PLATING: SEE PART NUMBER CODE;
 3. DATUM AND BASIC DIMENSIONS ESTABLISHED BY CUTOMER;
 4. RECOMMENDED PCB THICKNESS IS 1.57MM;
 5. 2.67MM MAXIMUM PANEL THICKNESS IF MOUNTED BEHIND PANEL;
 6. PRODUCT SPECIFICATION: GS-12-095;
 7. PACKAGE SPECIFICATION: GS-14-393;
 8. COMPLIED WITH USB 2.0 AND TID NUMBER 60000205;
 9. 87583-3010XXX DURABILITY MEET 9,000 CYCLES,
 AND THE OTHER PART MEET USB 2.0 1,500 CYCLES;
 (TO BE CONTINUED ON PAGE 3)



Copyright FCI.

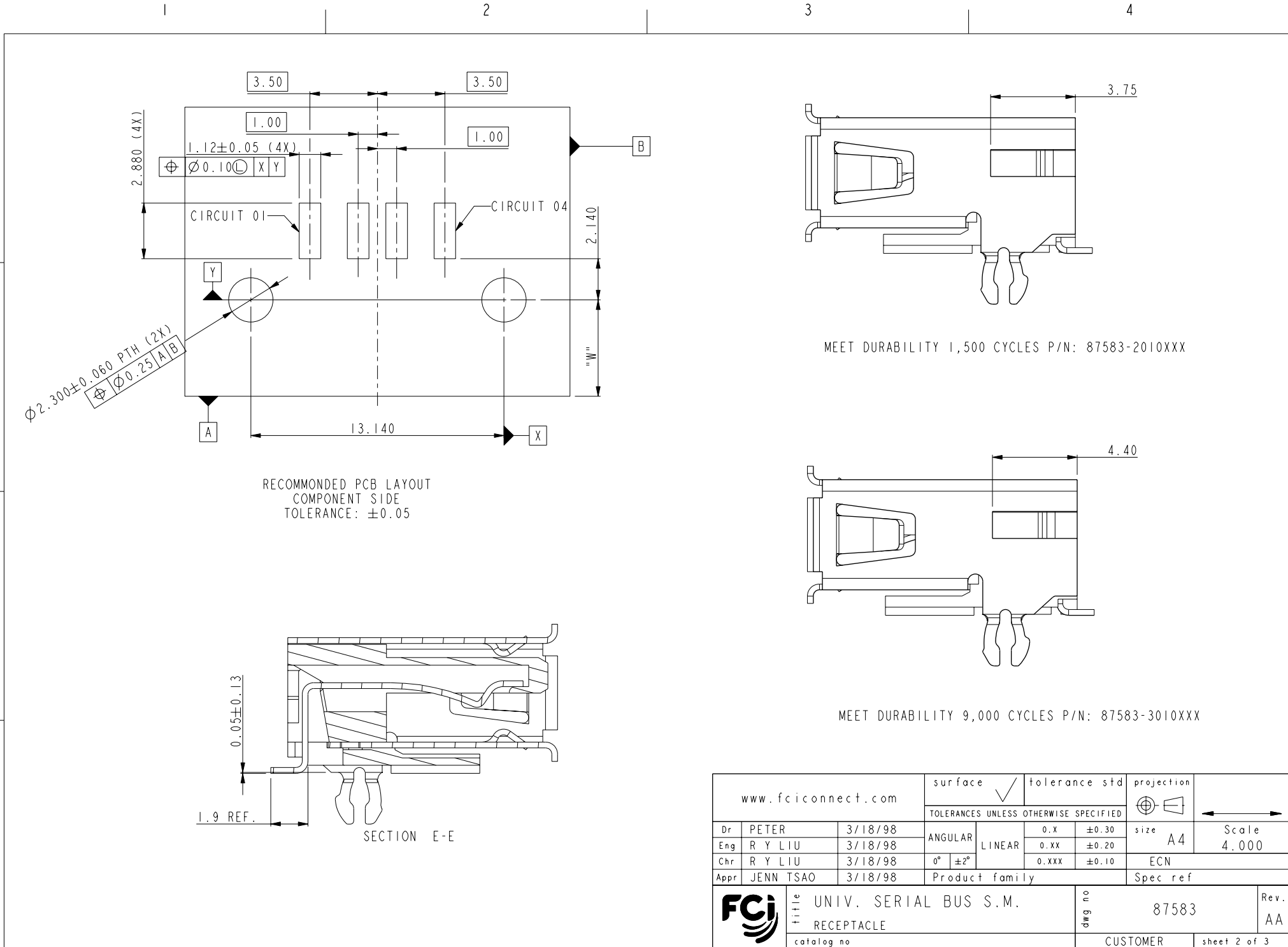
rev	ecn no	dr	date
W	N07-0304	R.B	12/31/2007
X	N08-0162	R.B	08/06/2008
Y	N08-0238	R.B	11/03/2008
AA	N09-0356	R.B	11/05/2009
U	N06-0298	HB	11/29/2006
V	N07-0050	WG	02/13/2007

www.fciconnect.com		surface	<input checked="" type="checkbox"/>	tolerance std	projection		
		TOLERANCES UNLESS OTHERWISE SPECIFIED					
Dr	PETER	3/18/98	ANGULAR	0.X	±0.30	size	A4
Eng	R Y LIU	3/18/98	LINEAR	0.XX	±0.20	Scale	4.000
Chr	R Y LIU	3/18/98	0° ±2°	0.XXX	±0.10	ECN	
Appr	JENN TSAO	3/18/98	Product family		Spec ref		
		title		UNIV. SERIAL BUS S.M.		dwg no	87583
		RECEPTACLE				Rev.	AA
		catalog no		CUSTOMER		sheet 1 of 3	



Copyright FCI.

A
B
C
D



$\varnothing 2.300 \pm 0.060$ PTH (2X)
 $\varnothing 0.25$ | A | B

www.fciconnect.com			surface	<input checked="" type="checkbox"/>	tolerance std	projection			
			TOLERANCES UNLESS OTHERWISE SPECIFIED						
Dr	PETER	3/18/98	ANGULAR	LINEAR	0.X	±0.30	size	A4	
Eng	R Y LIU	3/18/98			0.XX	±0.20			Scale
Chr	R Y LIU	3/18/98			0.XXX	±0.10			
Appr	JENN TSAO	3/18/98	0°	±2°	ECN		Spec ref		
Product family									
		title UNIV. SERIAL BUS S.M. RECEPTACLE			dwg no 87583		Rev. AA		
catalog no			CUSTOMER			sheet 2 of 3			

PRODUCT NUMBER CODE

87583 - X X X X X P X LF

BASE PRODUCT NUMBER

HOUSING COLOR OPTIONS

- 0- WHITE+TIN OVER NICKLE UNDERPLATE
- 1- BLACK+TIN OVER NICKLE UNDERPLATE
- 2 - WHITE+SHELL Ni PLATING ONLY
- 3 - BLACK+SHELL Ni PLATING ONLY
- S - BLACK+SHELL Ni PLATING ONLY
(SPECIAL MATERIAL FOR 12,000 DURABILITY CYCLES)

SHELL OPTION

- 0 - NO BACK SHIELD

MOUNTING HOLE OPTIONS

- 1 - NONE

TERMINAL PLATING OPTION

- 0 - 50u" Ni UNDERPLATE
- 30u" GXT CONTACT AREA
- 100u" TIN TAIL AREA

PACKAGING OPTIONS

- B - TUBES
- R - TAPE & REEL

DATE CODE

- A FOR AUTOMOTIVE APPLICATION
- H FOR HPQ SMT

LEAD FREE OPTION

AVAILABLE P/N LIST
87583-0010BHLF
87583-0010BLF
87583-0010RLF
87583-1010BLF
87583-1010RPALF
87583-1010RPLF
87583-2010BLF
87583-2010BPLF
87583-2010RLF
87583-2010RPLF
87583-3010BLF
87583-3010BPLF
87583-3010RPALF
87583-3010RPLF
87583-S010XPLF

(CONTINUE)

- 9. P/N'S WITH SUFFIX "LF" ARE LEAD FREE P/N'S
- 10. FOR LEAD FREE P/N, THE PRODUCT MEET EUROPEAN UNION DIRECTIVES AND OTHER COUNTRY REGULATION AS DESCRIBED IN GS-22-008
- 11. THE HOUSING WILL WITHSTAND EXPOSURE TO 260°C PEAK TERMERATURE FOR 40 SECONDS IN A CONVECTION, INFRO-RED OR VAPOR PHASE REFLOW OVEN.
- 12. FOR AUTOMOTIVE APPLICATION: ALL THE TOLERANCES ".XX" ARE ±0.10 UNLESS OTHER SPECIAL NOTIFICATION

www.fciconnect.com			surface <input checked="" type="checkbox"/>	tolerance std	projection			
			TOLERANCES UNLESS OTHERWISE SPECIFIED					
Dr	PETER	3/18/98	ANGULAR	LINEAR	0.X	±0.30	size A4	Scale 4.000
Eng	R Y LIU	3/18/98			0.XX	±0.20		
Chr	R Y LIU	3/18/98			0° ±2°	0.XXX		
Appr	JENN TSAO	3/18/98	Product family			Spec ref		
		title UNIV. SERIAL BUS S.M.			dwg no 87583		Rev. AA	
		catalog no			CUSTOMER		sheet 3 of 3	