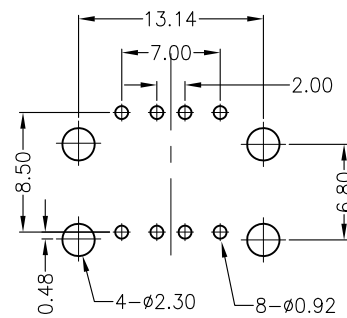
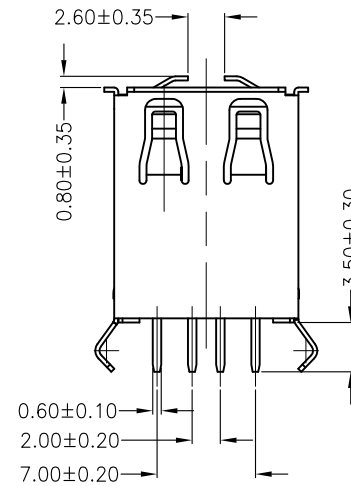
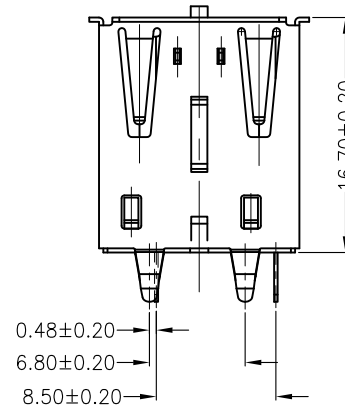
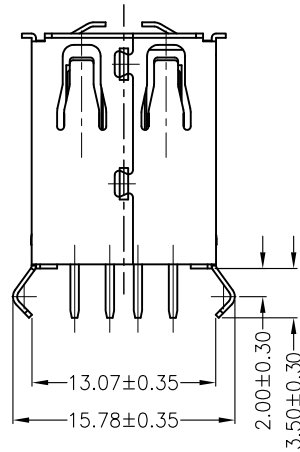
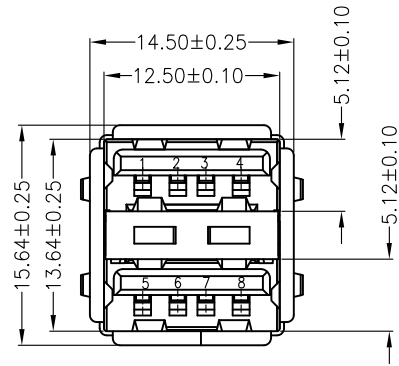


REV	DESCRIPTION	DATE	ECN NO.	CHANGER
A/0	The last word	09.07.29		JACK
A/1	Update drawing	11.03.21	2011064	Sally



RECOMMENDED P.C.B HOLE LAYOUT  
TOP VIEW(TOLERANCE:±0.10)

Specification

- Current Rating:1.5AMP at 250V AC  
Voltage Rating:30V
- Insulation Resistance:1000MΩ Min
- Contact Resistance:30mΩ Max
- Dielectric Withstanding Voltage:500V AC
- Temperature Range:-20°C to +60°C
- Mechanical Characteristics:  
Insertion Force:35 Newtons maximum  
Extraction Force:10 Newtons minimum

P/N NOTE:

USB-A2D72F-XX8X

Shell plate spec:

T=Tin plated, N=Nickel plated

Housing colour:

B=Black, N=Nature, W=White

Contact plate spec:

0=FU", 1=3U", 2=6U",

3=15U", 4=30U"

5	Shell in emi	C2680H	1	T=0.30 Plating nickel/Tin
4	Shell	C2680H	1	T=0.30 Plating nickel/Tin
3	Back Pulg	P.B.T	1	UL94V-0 Nature/Black/White
2	Housing	P.B.T	1	UL94V-0 Nature/Black/White
1	Contact	C2680H	8	T=0.25 Plating Gold
NO.	VARIETY	MATERIAL	QT,Y	REMARK

CZT<sup>®</sup> DONGGUAN ZHENGDE (YIHUA) CONNECTOR CO., LTD

X. ±0.38	X.* ±4'	UNIT:	mm	DR:	JACK	TITLE:	USB A TYPE(FEMALE) DIP 180° Double-deck(Double Shrapnel)		
.X ±0.25	.X* ±2'	3RD:		DE:	JACK		SHEET:	1/1	P/N:
.XX±0.20	.XX*	SCALE:	1:1	CHKD:		D/N:		1018-0072	M/N:
.XXX±0.10	.XXX*	CUSTOMER DRAWING	REV:	A/1	APPD:				