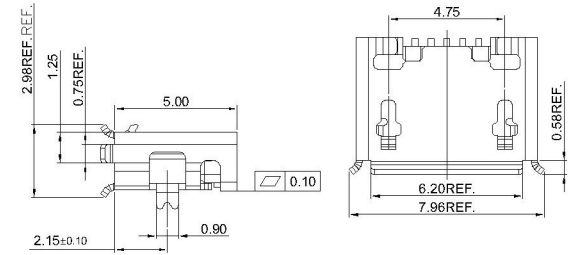
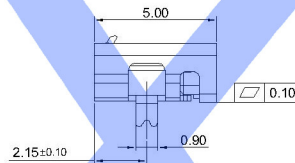
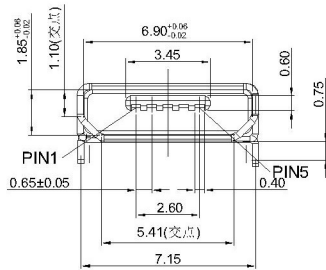


Flat (F)



Scrolls (S)



Material

Housing Material: LCP, UL94V-0, black

Contact Terminal: Copper Alloy

Metallic Shell: Sus

Electrical

Voltage Rating: 30 V AC

Current Rating: Signal (Pins 2,3,4): 1.0A, Power (Pins 1,5): 1.8A

Contact Resistance: 30mΩ Max

Insulation resistance: 1000MΩ Min

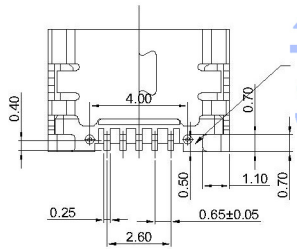
Dielectric withstanding voltage: 250V AC/Minute

Mechanical

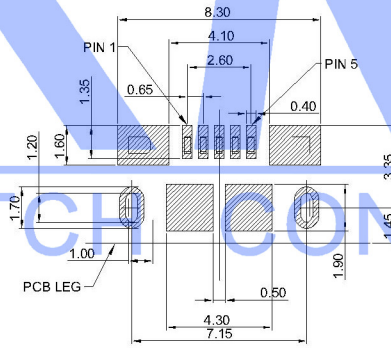
Durability: 10,000 cycles

Mating Force: 35N (3.57Kgf) Max

Unmating Force: 8N (0.82Kgf) Min.



1:With 2:Without



RECOMMENDED P.C.B. LAYOUT
TOP VIEW (TOLRANCE: ±0.05)

U254-05XX-4BH81-X-X-S

- 1: Au 1U"
- 6: Au 30U"
- T: TIN
- N: NICKEL
- S: Sus
- 1: With 2: Without
- S: Scrolls F: Flat
- B: BLACK W: WHITE
- 1: PBT
- 2: PA6T
- 3: PA9T
- 4: LCP

					DSND		DATE		SCALE: NA	MODEL TYPE: MICRO USB
					ANGLAR	±5°			VIEW:	PART NO.: U254-05XX-4BH81
					L ≤ 4	±0.2			UNIT: mm	DWG NO.: U254-05XX-4BH81-XXS
					4 < L ≤ 16	±0.3			SIZE: A4	
					16 < L ≤ 63	±0.4				
					L > 63	±0.5				
					UNSPECIFIED TOLERANCES					
					KXB INDUSTRIAL PRECISION CO., LIMITED					
					WEIGHT	1.0g	SHEET	1/1	REVISION	A0