

IP65



● WAC3 Series IP65

WAC3MPA-1



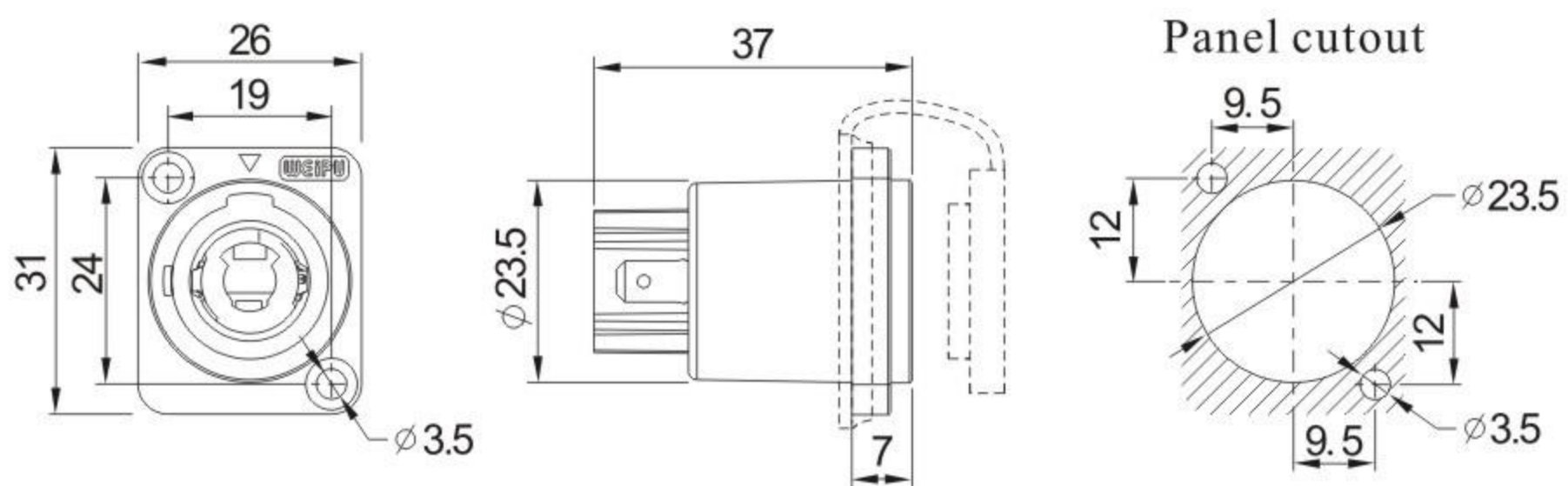
WAC3MPB-1



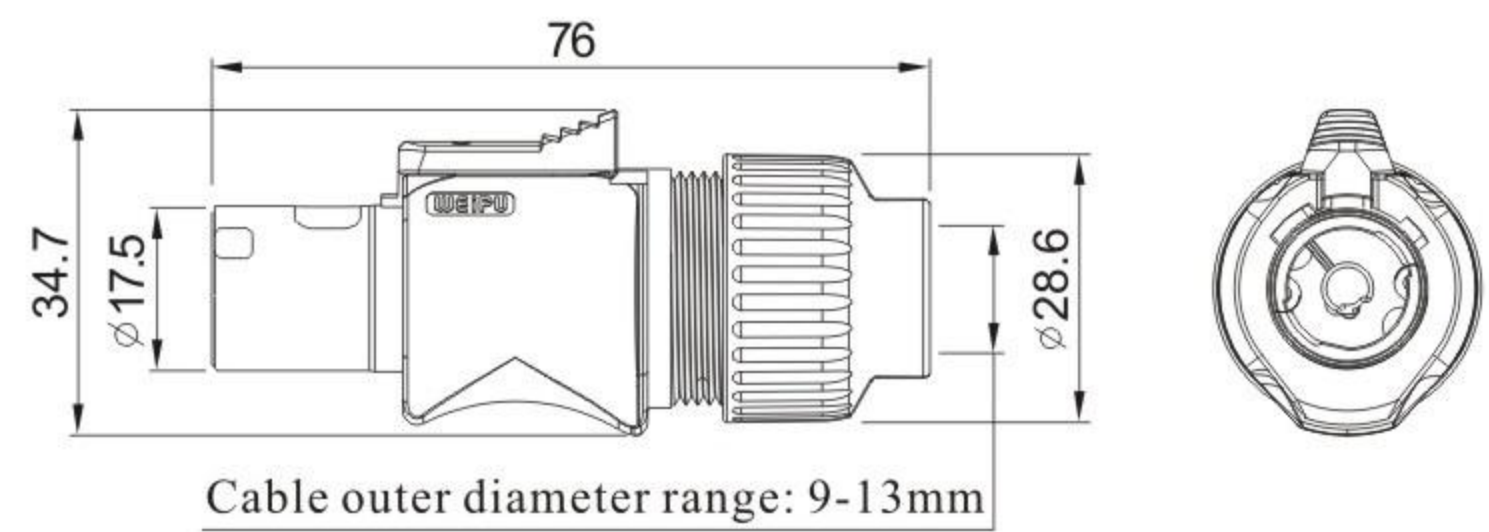
WAC3FCA

WAC3FCB

● Receptacle



● Plug



Material and spec

Coupling	Bayonet
Shell	Plug: Nylon PA66 Socket: PC
Insert material	PPS, max temperature 260°C
Contact material	Brass with silver plating
Rated current (A)	20
Rated voltage (AC.V)	250
Test voltage (AC.V) 1 min	2500
Insulation resistance (MΩ)	2000
Mating cycle	1000
Temperature range	-40°C ~ + 85°C
IP rating	IP65
Termination	Receptacle: 3/16" flat tab terminals Plug: screw