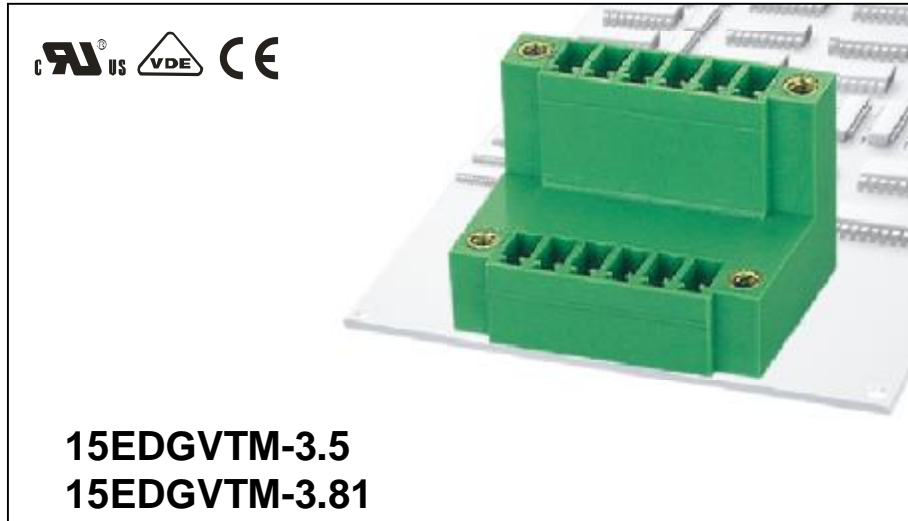


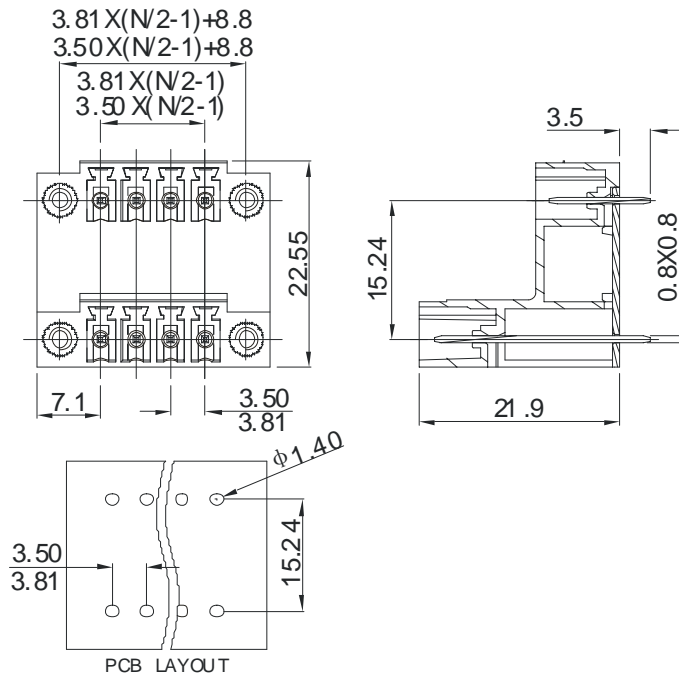


# DEGSON ELECTRONICS CO., LTD.

## Product Specification

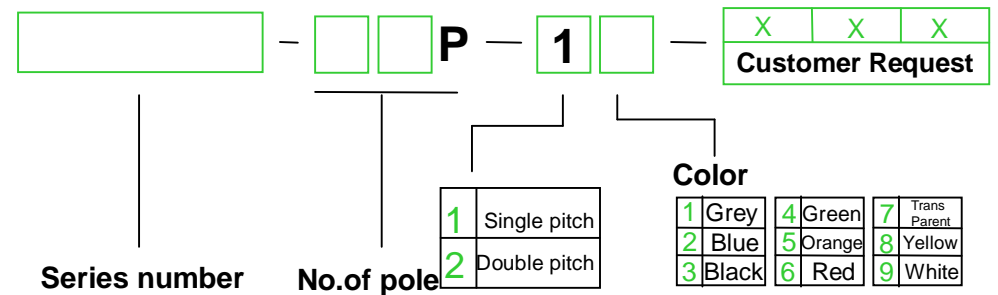


**15EDGVTM-3.5**  
**15EDGVTM-3.81**



<b>APPROVAL</b>		
<b>Electrical</b>		
Standard	<b>UL</b>	<b>IEC</b>
Rated voltage	300V	250V
Rated current	8A	7A
Withstanding voltage	AC2000V/1Min	
<b>Mechanical</b>		
Ambient temperature	-40°C ~ +105 °C	
<b>Dimensions</b>		
Pitch	3.5mm(.138" ) 3.81mm(.150" )	
Poles	2*(2P-20P)	
<b>Material</b>		
Housing	PA66,UL94 V-0	
Pin header	Brass,Tin-plated	
Nut	M2.5,Brass	

### HOW TO ORDER :



 mm (INCH)	<b>DEGSON ELECTRONICS CO., LTD.</b>
 THROANGLE PROJECTION	<b>NAME</b> <b>15EDGVTM-3.5, 15EDGVTM-3.81</b>