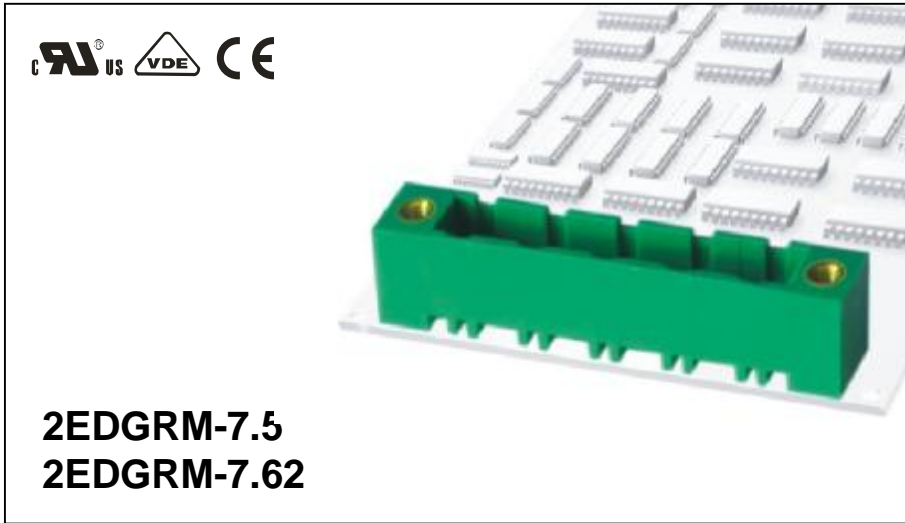


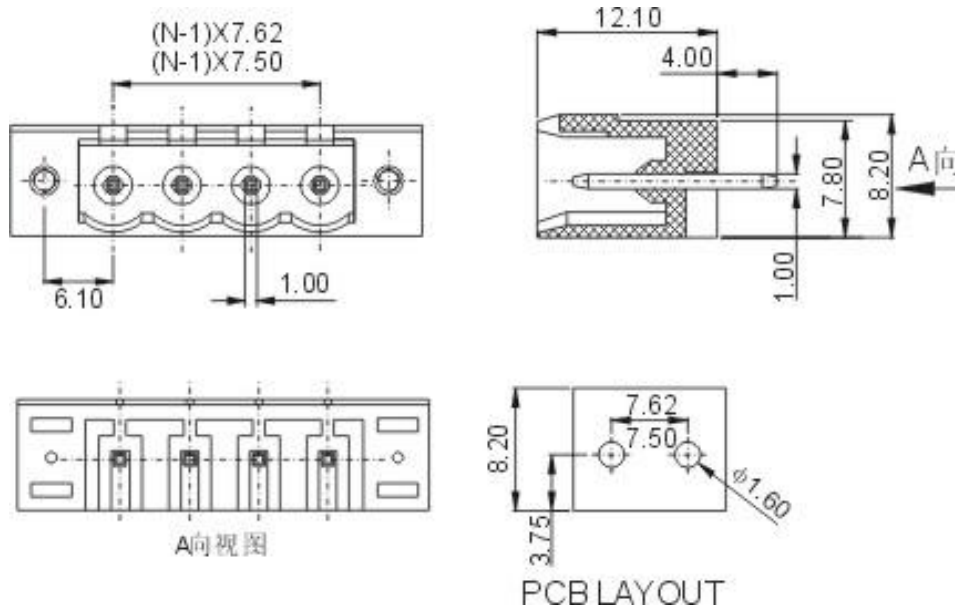


# DEGSON ELECTRONICS CO., LTD.

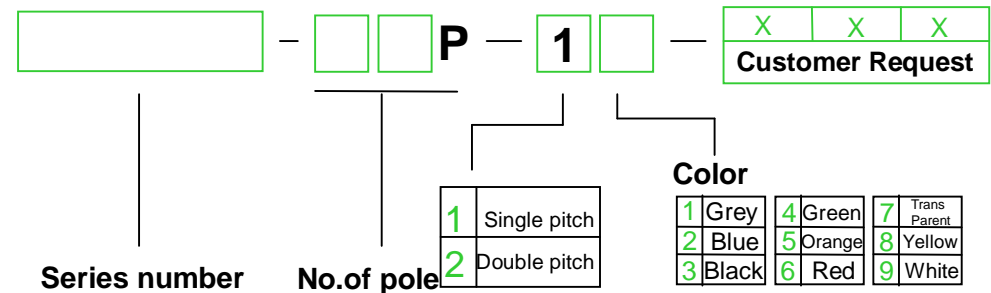
## Product Specification



<b>APPROVAL</b>		
<b>Electrical</b>		
Standard	<b>UL</b>	<b>IEC</b>
Rated voltage	300V	400V
Rated current	15A	20A
Withstanding voltage	AC2500V/1Min	
<b>Mechanical</b>		
Ambient temperature	-40°C ~ +105 °C	
<b>Dimensions</b>		
Pitch	7.5mm(.295") 7.62mm(.300")	
Poles	2P-12P	
<b>Material</b>		
Housing	PA66, UL94 V-0	
Pin header	Brass, Tin-plated	
Nut	M2.5, Brass	



### HOW TO ORDER :



	<b>DEGSON ELECTRONICS CO., LTD.</b>
	<b>NAME</b> 2EDGVM-7.5 2EDGVM-7.62