

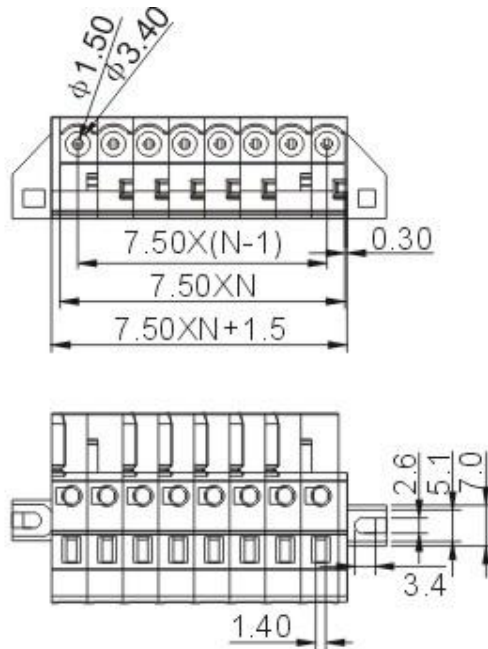


DEGSON ELECTRONICS CO., LTD.

Product Specification

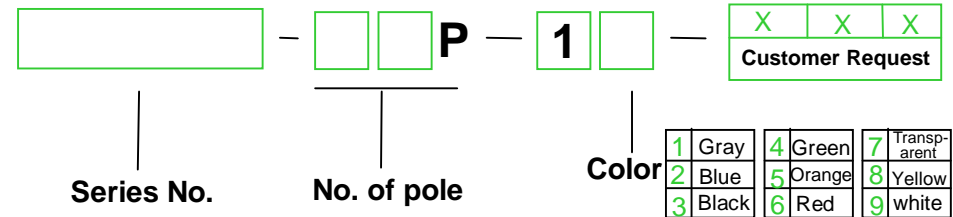


8EDGKMA-7.5
8EDGKMA-7.62



| | | |
|-----------------------|------------------------------|--------------------|
| Approval | C US | |
| Electrical | | |
| Standard | UL | IEC |
| Rated voltage | 300V | 400V |
| Rated current | 15A | 20A |
| Wire range | 22-14AWG | 2.5mm ² |
| With standing voltage | AC2500V/1Min | |
| Mechanical | | |
| Ambient temperature | -40°C~+105 °C | |
| Strip length | 8mm | |
| Dimensions | | |
| Pitch | 7.5mm(.295") 7.62mm(.300") | |
| Poles | 2P-12P | |
| Material | | |
| Housing | PA66,UL94V-0 | |
| Contact | Phosphor bronze | |
| Wire guard | Stainless steel | |

HOW TO ORDER :



| | |
|--|--|
| | DEGSON ELECTRONICS CO., LTD. |
| | NAME 8EDGKMA-7.5, 8EDGKMA-7.62 |