

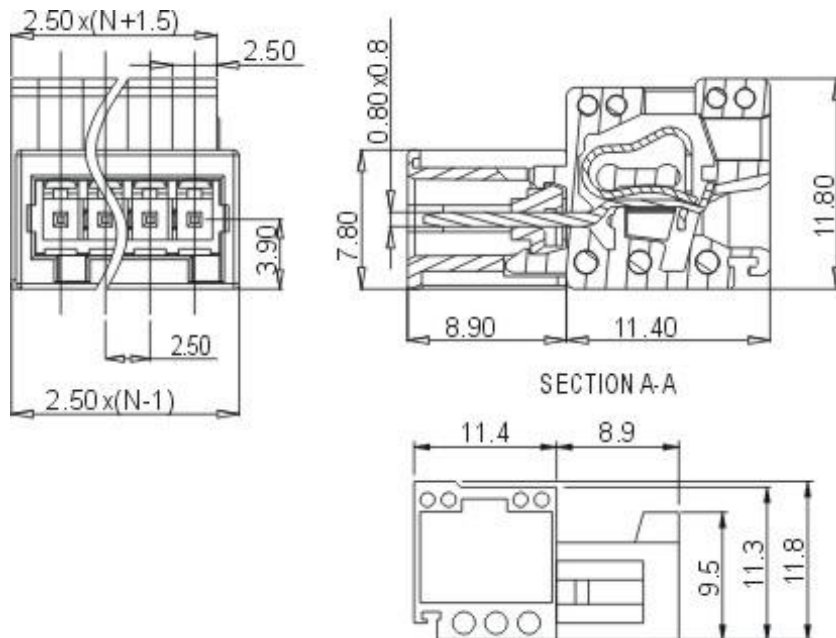


DEGSON ELECTRONICS CO., LTD.

Product Specification

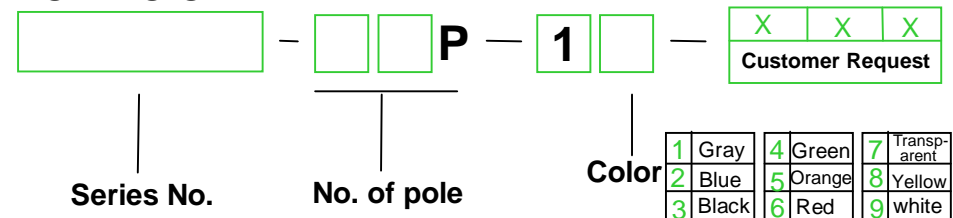


8EDGKR-2.5



Approval	CE	
Electrical		
Standard	UL	IEC
Rated voltage	150V	130V
Rated current	4A	6A
Wire range	28-20AWG	0.5mm ²
With standing voltage	AC1250V/1Min	
Mechanical		
Ambient temperature	-40°C~+105 °C	
Strip length	5-6mm	
Dimensions		
Pitch	2.5mm(.098")	
Poles	2P-24P	
Material		
Housing	PA66,UL94V-0	
Contact	Copper	
Wire guard	Stainless steel	

HOW TO ORDER :



	DEGSON ELECTRONICS CO., LTD.
	NAME 8EDGKR-2.5