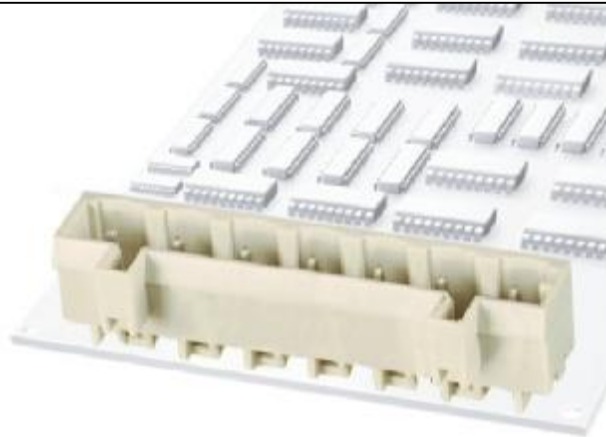


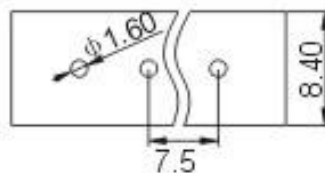
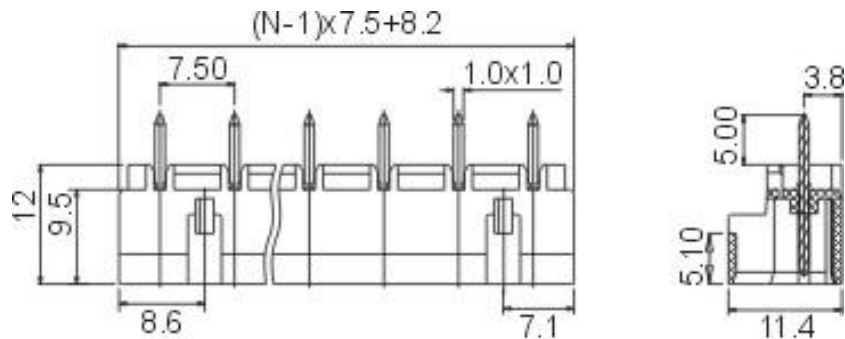


DEGSON ELECTRONICS CO., LTD.

Product Specification



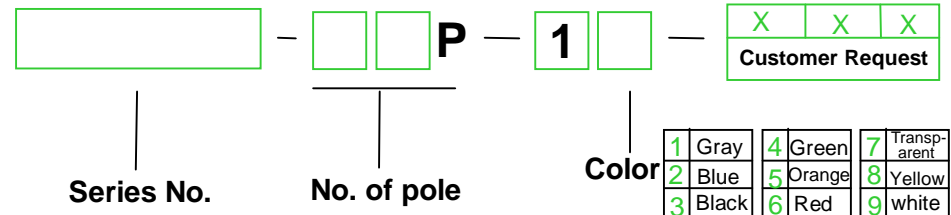
8EDGVCB-7.5



PCB LAYOUT

Approval	CE	
Electrical		
Standard	UL	IEC
Rated voltage	300V	400V
Rated current	15A	20A
With standing voltage	AC2500V/1Min	
Mechanical		
Ambient temperature	-40°C~+105 °C	
Dimensions		
Pitch	7.5(.295")	
Poles	2P-24P	
Material		
Housing	PA66,UL94V-0	
Pin header	Brass Tin-plated	

HOW TO ORDER :



	DEGSON ELECTRONICS CO., LTD.
	NAME 8EDGVCB-7.5