



inserts:		page
CD	80 poles + ⊕	46
CDD	144 poles + ⊕	59
CQE	64 poles + ⊕	78
CN	32 poles + ⊕	84
CCE	32 poles + ⊕	94
CNE, CSE.....	32 poles + ⊕	95
CSS	32 poles + ⊕	102
CMSE	12+4 (aux) poles + ⊕	120
CMCE	12+4 (aux) poles + ⊕	120
CME	12+4 (aux) poles + ⊕	121
CP.....	12 poles + ⊕	128
MIXO	4 + 4 modules	137÷151

insert centre distance:
2 x (77.5 x 27) mm

bulkhead mounting housings with 2 levers or 4 pegs



bulkhead mounting housings with single lever

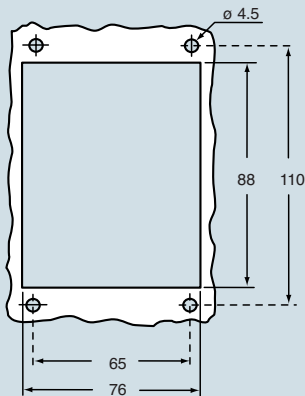


description	part No.	part No.
with one or two levers	CHI 32	CHI 32 L
with pegs and cover ¹⁾	CHI 32 CS	
with lever and cover		CHI 32 LS

¹⁾ May be combined with hoods:
- CHO/CHV/CFO/CFV 32 X
- MHO/MHV/MFO/MFV 32 X

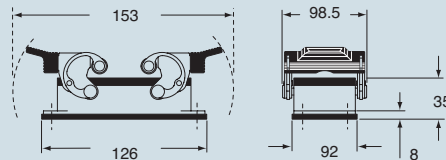
N.B.: the enclosures ensure IP66 protection (or IP65 cover versions) rating when mated and locked with the closing levers.
The cover (CS, CP) only ensures mechanical protection, but does not ensure IP65 protection rating.

panel cut-out for bulkhead mounting housings in mm

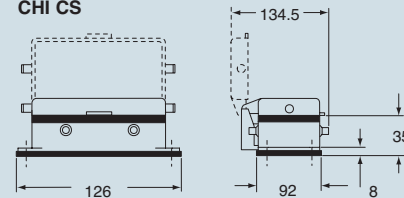


dimensions in mm

CHI

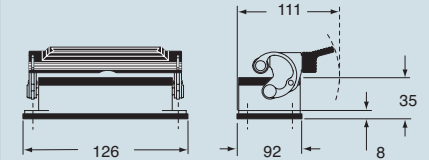


CHI CS

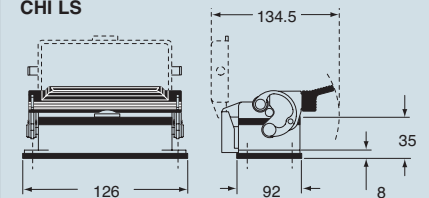


dimensions in mm

CHI L



CHI LS



CAUS® Type 4/4X/12

dimensions indicated are not binding and may be changed without notice

size 77.62



inserts:		page
CD	80 poles + ⊕	46
CDD	144 poles + ⊕	59
CQE	64 poles + ⊕	78
CN	32 poles + ⊕	84
CCE	32 poles + ⊕	94
CNE, CSE.....	32 poles + ⊕	95
CSS	32 poles + ⊕	102
CMSE	12+4 (aux) poles + ⊕	120
CMCE	12+4 (aux) poles + ⊕	120
CME	12+4 (aux) poles + ⊕	121
CP.....	12 poles + ⊕	128
MIXO	4 + 4 modules	137÷151

insert centre distance:
2 x (77.5 x 27) mm

surface mounting housings with 2 levers



surface mounting housings with single lever

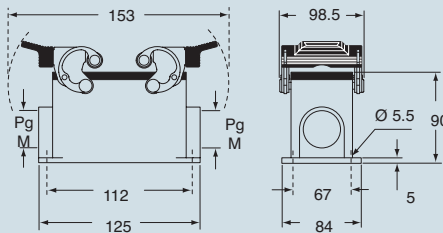


description	part No.		entry		part No.		entry	
			Pg	M			Pg	M
with one or two levers	CHP 32.29	29	MHP 32.40	40	CHP 32 L29	29	MHP 32 L40	40
with one or two levers	CHP 32.229	29 x 2	MHP 32.240	40 x 2	CHP 32 L229	29 x 2	MHP 32 L240	40 x 2
with one or two levers	CHP 32	36	MHP 32.50	50	CHP 32 L	36	MHP 32 L50	50
with one or two levers	CHP 32.2	36 x 2	MHP 32.250	50 x 2	CHP 32 L2	36 x 2	MHP 32 L250	50 x 2
with one or two levers	CHP 32.42	42			CHP 32 L42	42		
with one or two levers	CHP 32.242	42 x 2			CHP 32 L242	42 x 2		
with lever and cover					CHP 32 LS29	29	MHP 32 LS40	40
with lever and cover					CHP 32 LS229	29 x 2	MHP 32 LS240	40 x 2
with lever and cover					CHP 32 LS	36	MHP 32 LS50	50
with lever and cover					CHP 32 LS2	36 x 2	MHP 32 LS250	50 x 2
with lever and cover					CHP 32 LS42	42		
with lever and cover					CHP 32 LS242	42 x 2		

N.B.: the enclosures ensure IP66 protection (or IP65 cover versions) rating when mated and locked with the closing levers.
The cover (CS, CP) only ensures mechanical protection, but does not ensure IP65 protection rating.

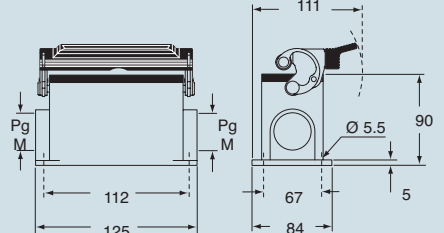
dimensions in mm

CHP and MHP

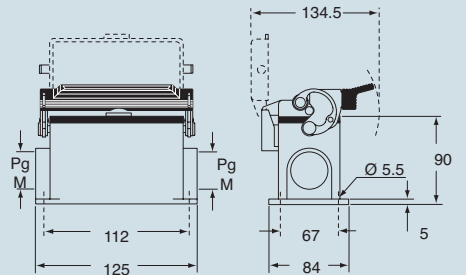


dimensions in mm

CHP L and MHP L



CHP LS and MHP LS



dimensions indicated are not binding and may be changed without notice

size 77.62



inserts:		page
CD	80 poles + ⊕	46
CDD	144 poles + ⊕	59
CQE	64 poles + ⊕	78
CN	32 poles + ⊕	84
CCE	32 poles + ⊕	94
CNE, CSE.....	32 poles + ⊕	95
CSS	32 poles + ⊕	102
CMSE	12+4 (aux) poles + ⊕	120
CMCE	12+4 (aux) poles + ⊕	120
CME	12+4 (aux) poles + ⊕	121
CP.....	12 poles + ⊕	128
MIXO	4 + 4 modules	137÷151

insert centre distance:
2 x (77.5 x 27) mm

hoods with 2 levers or 4 pegs



hoods with single lever or 2 pegs

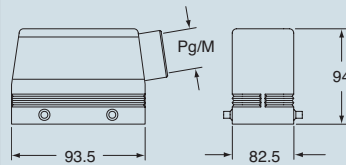


description	part No.		part No.		part No.		part No.	
		entry Pg		entry M		entry Pg		entry M
with pegs, side entry	CHO 32.29	29	MHO 32.32	32	CHO 32 L	36	MHO 32 L40	40
with pegs, side entry	CHO 32	36	MHO 32.40	40				
with pegs, side entry	CHO 32.42	42	MHO 32.50	50				
with pegs, side entry, without adaptor *	CFO 32.29	29	MFO 32.32	32	CFO 32 L	36	MFO 32 L40	40
with pegs, side entry, without adaptor *	CFO 32	36	MFO 32.40	40				
with pegs, side entry, without adaptor *	CFO 32.42	42	MFO 32.50	50				
with pegs, top entry	CHV 32.29	29	MHV 32.32	32	CHV 32 L	36	MHV 32 L40	40
with pegs, top entry	CHV 32	36	MHV 32.40	40				
with pegs, top entry	CHV 32.42	42	MHV 32.50	50				
with pegs, top entry, without adaptor *	CFV 32.29	29	MFV 32.32	32	CFV 32 L	36	MFV 32 L40	40
with pegs, top entry, without adaptor *	CFV 32	36	MFV 32.40	40				
with pegs, top entry, without adaptor *	CFV 32.42	42	MFV 32.50	50				
with levers and gasket, top entry	CHV 32 G29	29	MHV 32 G32	32	CHV 32 LG	36	MHV 32 LG40	40
with one or two levers and gasket, top entry	CHV 32 G	36	MHV 32 G40	40				
with levers and gasket, top entry	CHV 32 G42	42	MHV 32 G50	50				
with levers and gasket, top entry, without adaptor *	CFV 32 G29	29	MFV 32 G32	32	CFV 32 LG	36	MFV 32 LG40	40
with one or two levers and gasket, top entry, without adaptor *	CFV 32 G	36	MFV 32 G40	40				
with levers and gasket, top entry, without adaptor *	CFV 32 G42	42	MFV 32 G50	50				

* enclosure without adaptor, threaded on the body, to be used only with a complete cable clamp.

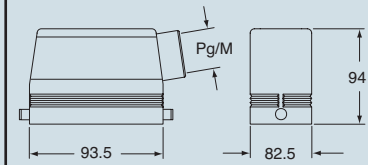
dimensions in mm

CHO/CFO and MHO/MFO

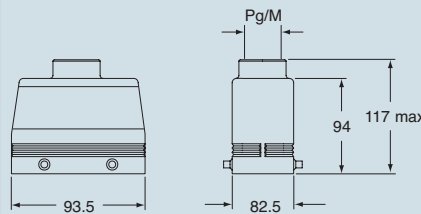


dimensions in mm

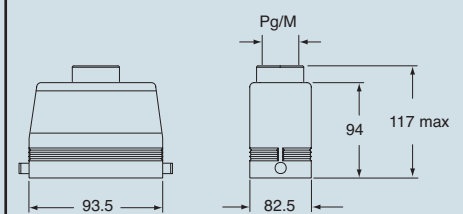
CHO/CFO L and MHO/MFO L



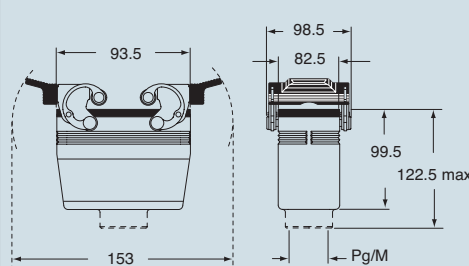
CHV/CFV and MHV/MFV



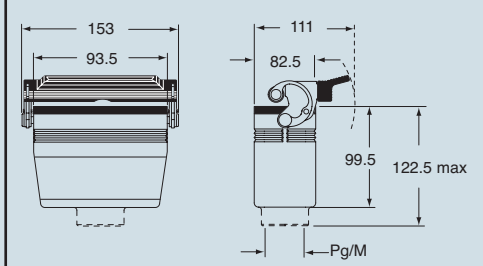
CHV/CFV L and MHV/MFV L



CHV/CFV G and MHV/MFV G



CHV/CFV LG and MHV/MFV LG



CALUS® Type 4/4X/12

dimensions indicated are not binding and may be changed without notice

size 77.62



inserts:		page
CD	80 poles + ⊕	46
CDD	144 poles + ⊕	59
CQE	64 poles + ⊕	78
CN	32 poles + ⊕	84
CCE	32 poles + ⊕	94
CNE, CSE.....	32 poles + ⊕	95
CSS	32 poles + ⊕	102
CMSE	12+4 (aux) poles + ⊕	120
CMCE	12+4 (aux) poles + ⊕	120
CME	12+4 (aux) poles + ⊕	121
CP.....	12 poles + ⊕	128
MIXO	4 + 4 modules	137÷151

insert centre distance: **2 x (77.5 x 27) mm**

The covers for C, G and LG versions cannot be used together with coding pins. If this application is required, please contact ILME SpA.

hoods with 2 levers



covers



description	part No.	entry Pg	part No.	entry M	part No.
with levers, side entry ¹⁾	CHO 32 X	36	MHO 32 X40	40	
with levers, side entry, without adaptor * ¹⁾	CFO 32 X	36	MFO 32 X40	40	
with levers, top entry ¹⁾	CHV 32 X	36	MHV 32 X40	40	
with levers, top entry, without adaptor * ¹⁾	CFV 32 X	36	MFV 32 X40	40	
with 4 pegs (for enclosures with 2 levers with gasket) with 4 pegs and gasket (for enclosures with 2 levers) ²⁾ with 2 pegs (for enclosures with 1 lever with gasket)					CHC 32 CHC 32 C CHC 32 L
with 2 levers (for hoods with 4 pegs) with 1 lever (for hoods with 2 pegs)					CHC 32 G CHC 32 LG

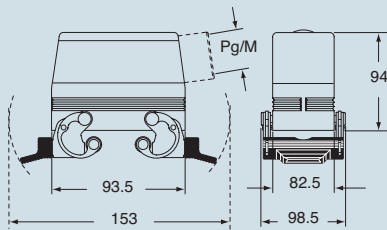
* enclosure without adaptor, threaded on the body, to be used only with a complete cable clamp.

¹⁾ May be combined with CHI 32 CS housings

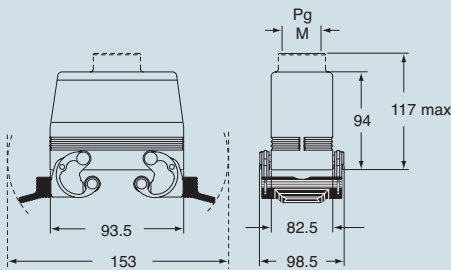
²⁾ May be combined with hoods:
- CHO/CFO 32 X and CHV/CFV 32 X
- MHO/MFO 32 X and MHV/MFV 32 X

dimensions in mm

CHO/CFO X and MHO/MFO X



CHV/CFV X and MHV/MFV X



dimensions in mm

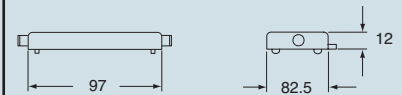
CHC



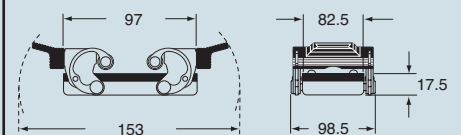
CHC C



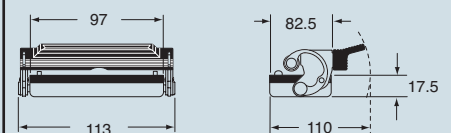
CHC L



CHC G



CHC LG



CAUS® Type 4/4X/12

dimensions indicated are not binding and may be changed without notice

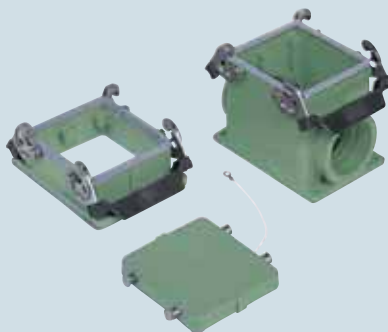


inserts:		page
CD	80 poles + ⊕	46
CDD	144 poles + ⊕	59
CQE	64 poles + ⊕	78
CN	32 poles + ⊕	84
CCE	32 poles + ⊕	94
CNE, CSE	32 poles + ⊕	95
CSS	32 poles + ⊕	102
CMSE	12+4 (aux) poles + ⊕	120
CMCE	12+4 (aux) poles + ⊕	120
CME	12+4 (aux) poles + ⊕	121
CP	12 poles + ⊕	128
MIXO	4 + 4 modules	137÷151

insert centre distance: 2 x (77.5 x 27) mm

The covers for G versions cannot be used together with coding pins. If this application is required, please contact ILME SpA.

housings and cover

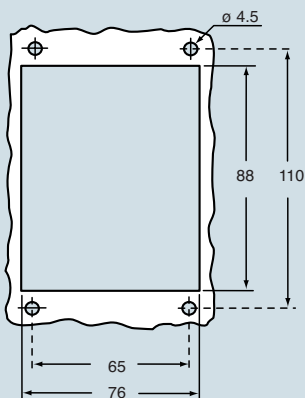


hoods and cover

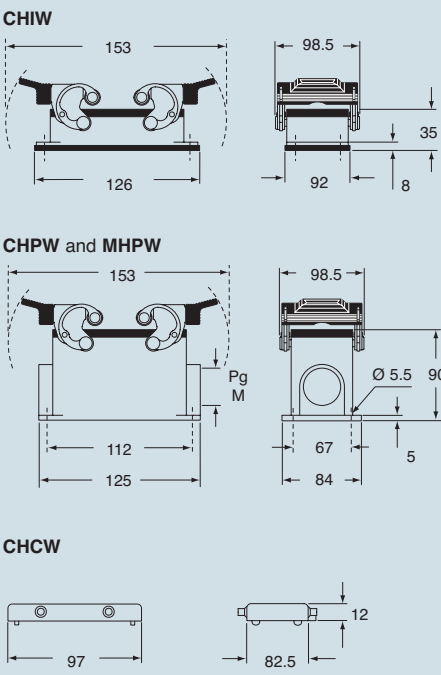


description	part No.		part No.		part No.		part No.	
		entry Pg		entry M		entry Pg		entry M
bulkhead mounting, with levers	CHIW 32	---						
surface mounting, with levers	CHPW 32	36	MHPW 32.50	50				
cover with 4 pegs (for enclosures with 2 levers)	CHCW 32							
with pegs, side entry					CHOW 32	36	MHOW 32.40	40
with pegs, top entry					CHVW 32	36	MHVW 32.40	40
cover with 2 levers (for enclosures with 4 pegs)					CHCW 32 G			
with levers and gasket, top entry					CHVW 32 G	36	MHVW 32 G40	40

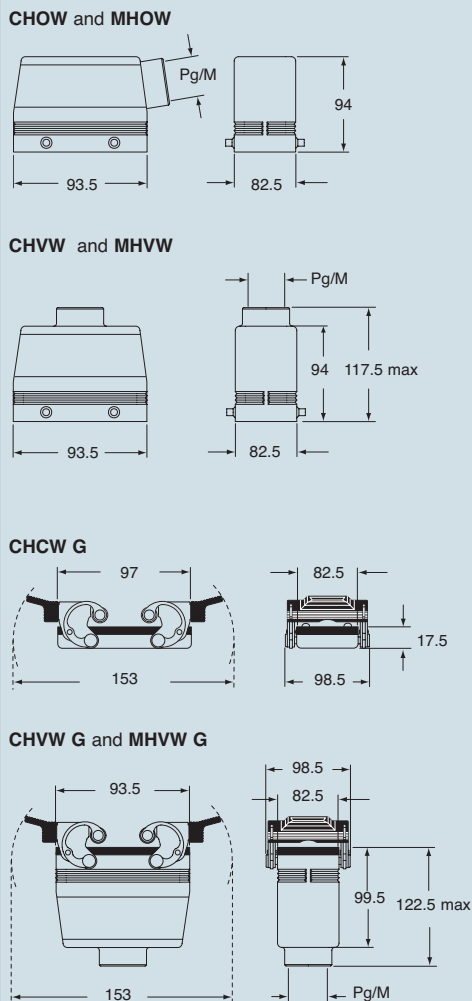
panel cut-out for bulkhead mounting housings in mm



dimensions in mm



dimensions in mm



dimensions indicated are not binding and may be changed without notice