

60mm sq.

San Ace 60

15mm thick, 20mm thick, 25mm thick
 25mm thick (San Cooler), 38mm thick (GV type)
 38mm thick (G type)



- General Specifications** With a pulse sensor Specifications for pulse sensors ⇔ Refer to Page 307
- Material..... Frame: Plastics (Flammability: UL94V-0),
 Impeller: Plastics (Flammability: UL94V-1)
 - Life Expectancy Varies for each model (L10: Survival rate: 90% at 60°C ,
 rated voltage, and continuously run in a free air state)
 - Lead Wire ⊕red ⊖black or blue Sensor yellow
 - Storage Temperature -30°C to +70°C (Non-condensing)

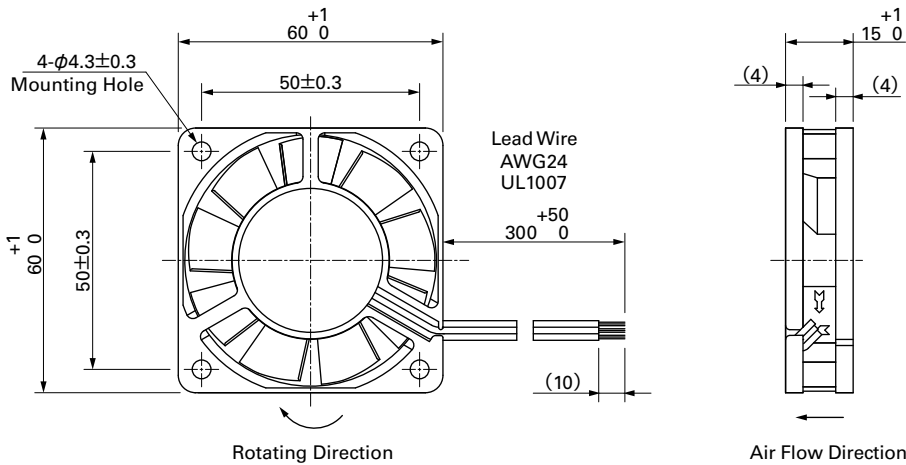
60×60×15mm [Mass : 60g]

Specifications

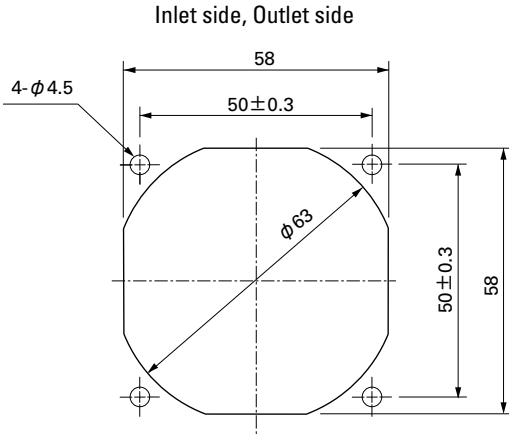
Model No.	Rated Voltage [V]	Operating Voltage Range [V]	Rated Current [A]	Rated Input [W]	Rated Speed [min ⁻¹]	Air Flow [m ³ /min] [CFM]		Static Pressure [Pa] [inchH ₂ O]		SPL [dB(A)]	Operating Temperature [°C]	Life Expectancy [h]
109P0605H701	5	4.5 to 5.5	0.26	1.30	4,100	0.40	14.1	38.2	0.153	32	-10 to +70	60,000
109P0605M701			0.15	0.75	3,100	0.30	10.6	22.6	0.091	25		
109P0612K701	12	10.2 to 13.8	0.26	3.12	6,500	0.62	21.9	99.3	0.399	45	-10 to +70	40,000
109P0612S701			0.15	1.80	5,000	0.48	17.0	58.8	0.236	36		
109P0612H701		7 to 13.8	0.09	1.08	4,100	0.40	14.1	38.2	0.153	32		60,000
109P0612M701		10.2 to 13.8	0.07	0.84	3,100	0.30	10.6	22.6	0.091	25		
109P0612B701			0.05	0.6	2,200	0.21	7.42	11.7	0.047	21		
109P0624J701		24	14 to 27.6	0.14	3.36	6,200	0.61	21.5	86.5	0.347		44
109P0624S701	0.08			1.92	5,000	0.48	16.9	58.8	0.236	36		
109P0624H701	20.4 to 27.6		0.06	1.44	4,100	0.40	14.1	38.2	0.153	32	60,000	
109P0624M701			0.04	0.96	3,100	0.30	10.6	22.6	0.091	25		

Without Sensor Pulse Sensor Available in all models. Lock Sensor Please inquire as the availability of these functions depend on the model.

Dimensions (Unit : mm)



Reference dimension of mounting holes and vent opening (Unit : mm)

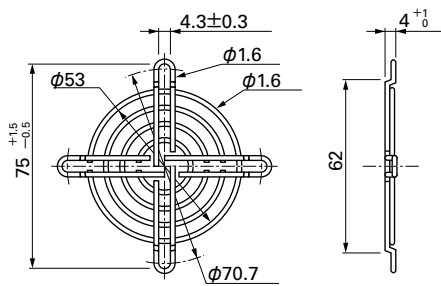


Options (Unit : mm)

Finger guards

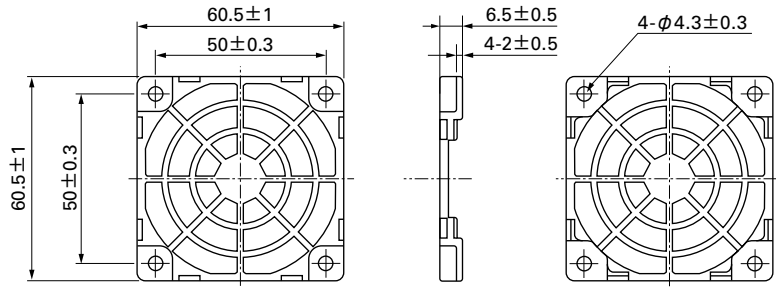
Model : 109-139E Surface treatment : Nickel-chrome plating (silver) Color : Nickel-chrome plating (silver)
 : 109-139H : Cation electropainting (black) Color : Cation electropainting (black)

Inlet side, Outlet side



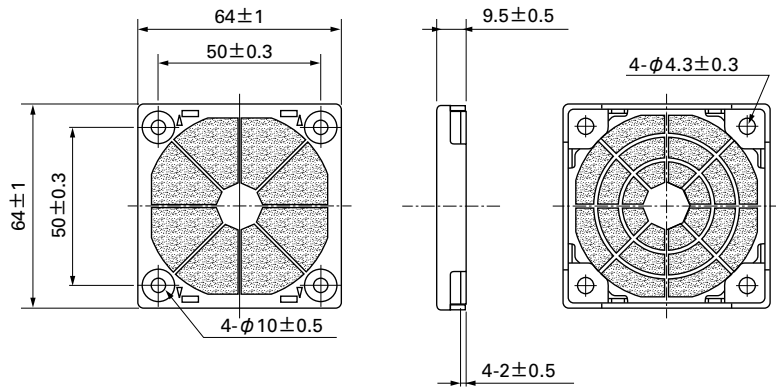
Resin finger guards

Model : 109-1003G



Resin filter kits

Model : 109-1003F13 (13PPI), 109-1003F20 (20PPI)
 : 109-1003F30 (30PPI), 109-1003F40 (40PPI)

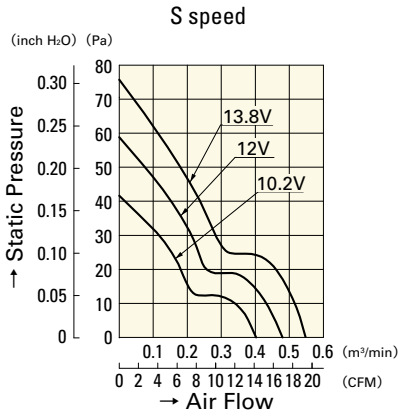


60mm sq.

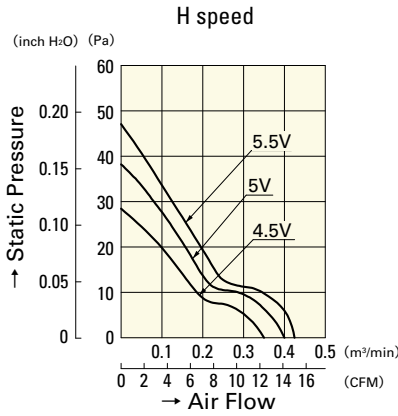
San Ace 60

60×60×15mm [Mass : 60g]

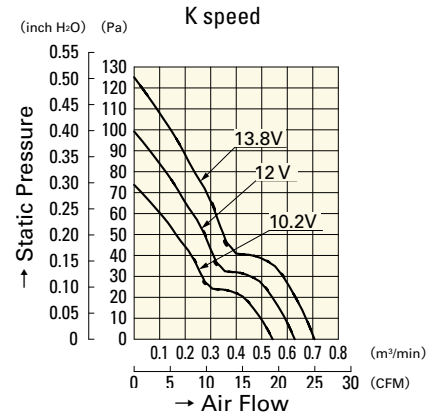
Air Flow and Static Pressure Characteristics



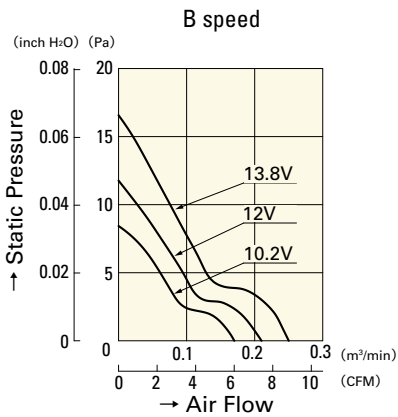
109P0612S701



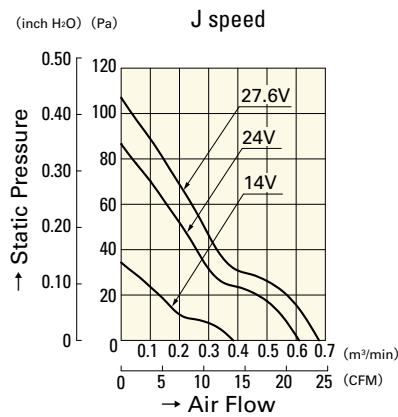
109P0605H701



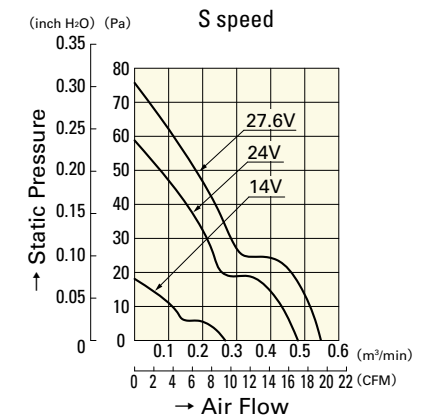
109P0612K701



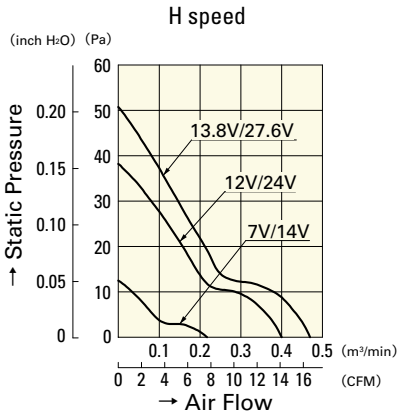
109P0612B701



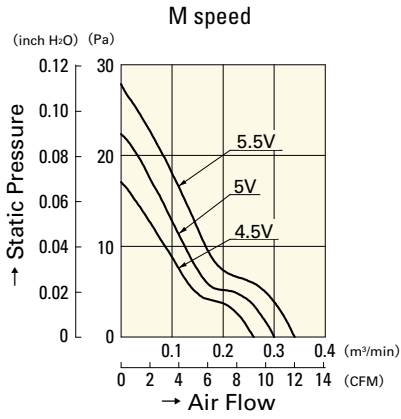
109P0624J701



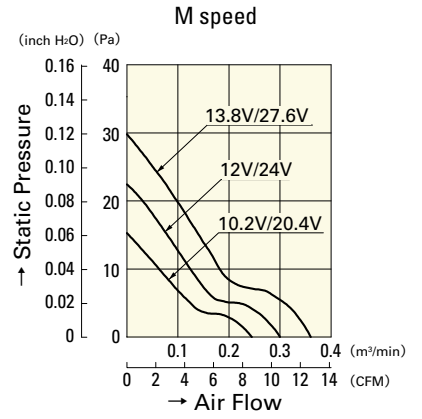
109P0624S701



109P0612H701
109P0624H701



109P0605M701



109P0612M701
109P0624M701