

38mm sq.

San Ace 38

28mm thick (GV type)



General Specifications With a pulse sensor

- Material Frame: Plastics (Flammability: UL94V-0),
Impeller: Plastics (Flammability: UL94V-1)
- Life Expectancy Varies for each model (L10: Survival rate: 90% at 60°C, rated voltage, and continuously run in a free air state)
- Lead Wire ⊕red ⊖black (Sensor) yellow
- Storage Temperature -30°C to +70°C (Non-condensing)

38×38×28mm (Mass : 50g)

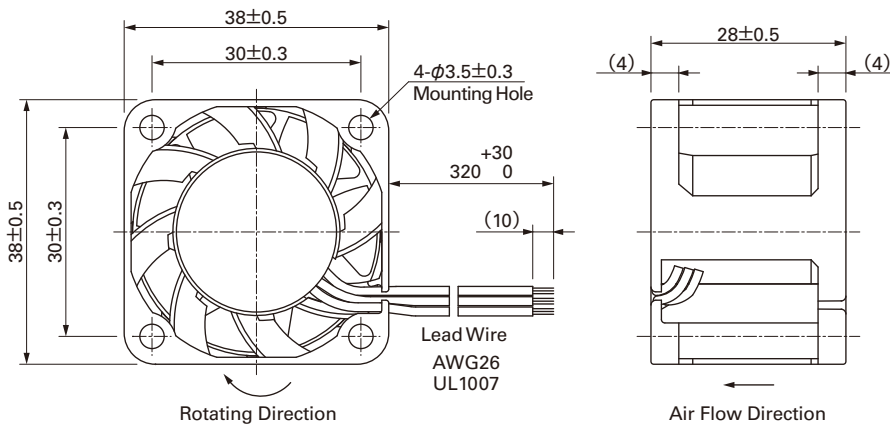
GV type

Specifications The numbers in () represent ribless models.

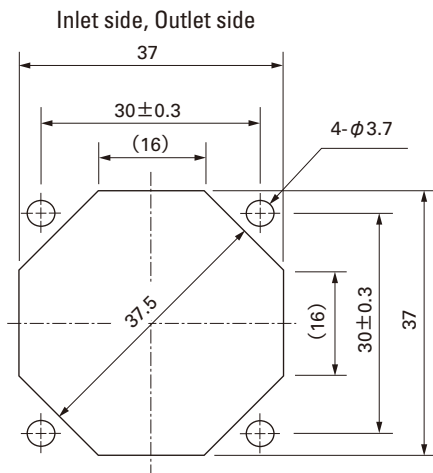
Model No.	Rated Voltage [V]	Operating Voltage Range [V]	Rated Current [A]	Rated Input [W]	Rated Speed [min ⁻¹]	Air Flow [m ³ /min] [CFM]		Static Pressure [Pa] [inchH ₂ O]		SPL [dB(A)]	Operating Temperature [°C]	Life Expectancy [h]
9GV0312J301(3011)	12	7 to 13.2	0.6	7.2	15,900	0.57	20	315	1.265	54	-10 to +60	40,000
9GV0312G301(3011)			0.4	4.8	13,500	0.48	17	230	0.924	50		
9GV0312E301(3011)			0.21	2.52	10,500	0.37	13.1	130	0.522	43		

Without Sensor **Pulse Sensor** Available in all models. **Lock Sensor** **PWM Control** Please inquire as the availability of these functions depend on the model.

Dimensions (Unit : mm) (With ribs)



Reference dimension of mounting holes and vent opening (Unit : mm)

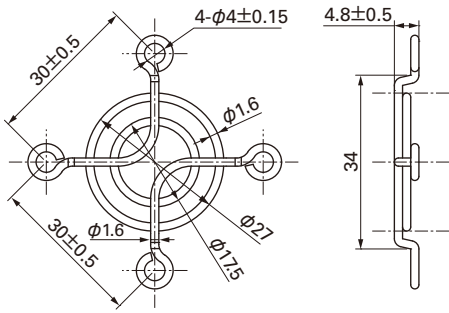


Options (Unit : mm)

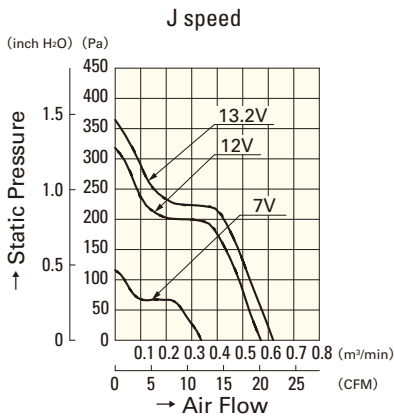
Finger guards

Model : 109-1065 Surface treatment : Nickel-chrome plating (silver) Color

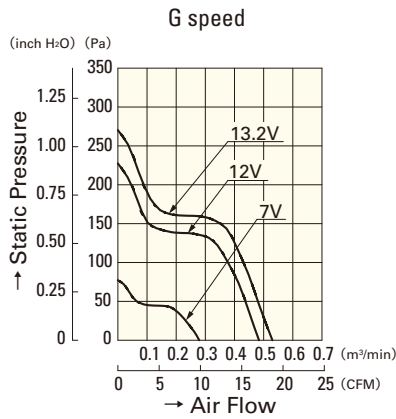
Inlet side, Outlet side



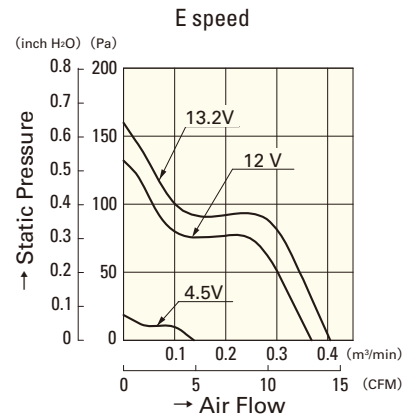
Air Flow and Static Pressure Characteristics



9GV0312J301



9GV0312G301



9GV0312E301