

**36**mm sq.

# San Ace 36

28mm thick (GV type)



## General Specifications With a pulse sensor

- Material ..... Frame: Plastics (Flammability: UL94V-0),  
Impeller: Plastics (Flammability: UL94V-1)
- Life Expectancy ..... Varies for each model (L10:Survival rate:90% at 60°C ,  
rated voltage, and continuously run in a free air state)
- Lead Wire ..... ⊕red ⊖black (Sensor) yellow
- Storage Temperature ..... -30°C to +70°C (Non-condensing)

**36×36×28mm** (Mass : 46g)

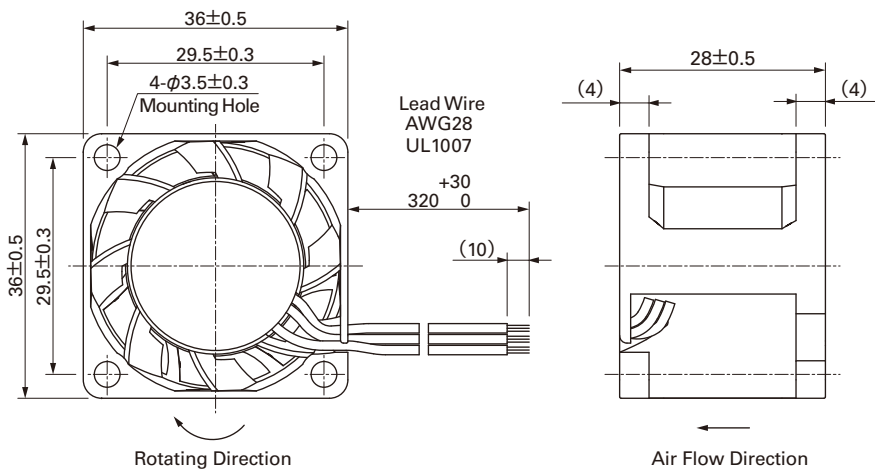
**GV type**

## Specifications

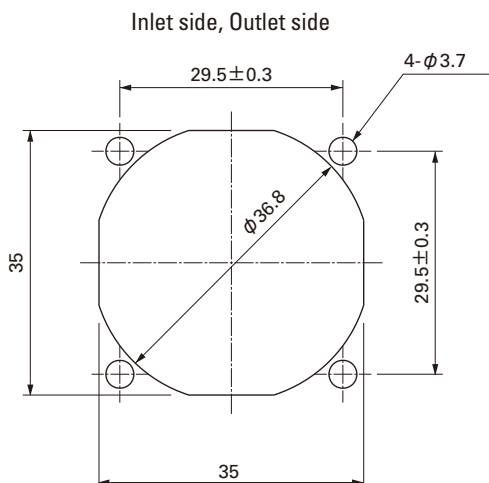
| Model No.   | Rated Voltage [V] | Operating Voltage Range [V] | Rated Current [A] | Rated Input [W] | Rated Speed [min <sup>-1</sup> ] | Air Flow [m <sup>3</sup> /min] [CFM] |      | Static Pressure [Pa] [inchH <sub>2</sub> O] |       | SPL [dB(A)] | Operating Temperature [°C] | Life Expectancy [h] |
|-------------|-------------------|-----------------------------|-------------------|-----------------|----------------------------------|--------------------------------------|------|---|-------|-------------|----------------------------|---------------------|
| 9GV3612J301 | 12                | 7.0 to 13.2                 | 0.75              | 9.0             | 19,000                           | 0.55                                 | 19.4 | 525   | 2.108 | 58.5        | -10 to +60                 | 40,000              |
| 9GV3612G301 |                   |                             | 0.34              | 4.08            | 14,000                           | 0.40                                 | 14.1 | 275   | 1.104 | 52.0        |                            |                     |

Without Sensor Pulse Sensor Available in all models. Lock Sensor PWM Control Please inquire as the availability of these functions depend on the model.

## Dimensions (Unit : mm)



## Reference dimension of mounting holes and vent opening (Unit : mm)

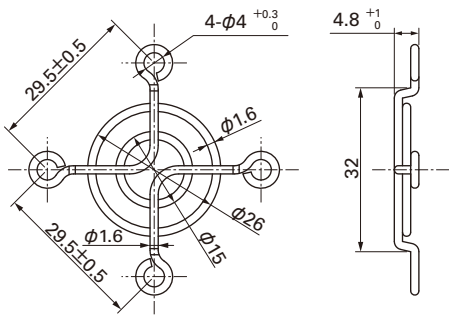


Options (Unit : mm)

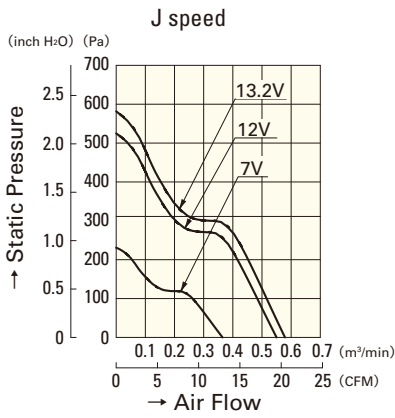
Finger guards

Model : 109-1050 Surface treatment : Nickel-chrome plating (silver) Color

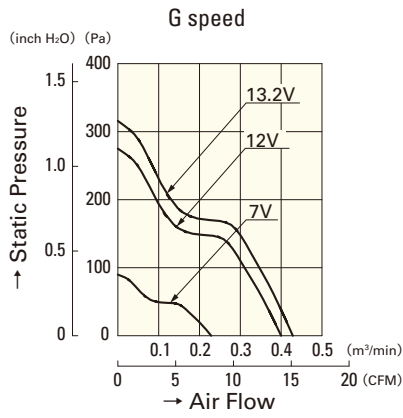
Inlet side, Outlet side



Air Flow and Static Pressure Characteristics



9GV3612J301



9GV3612G301