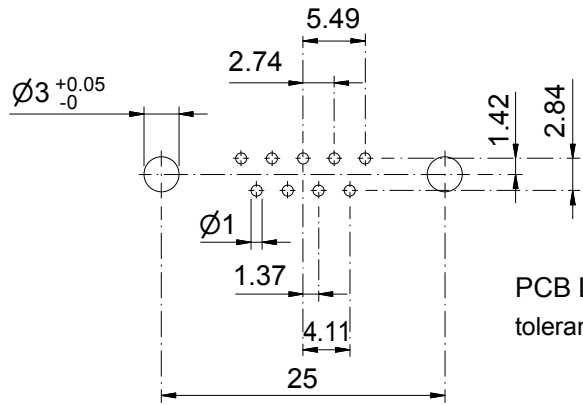
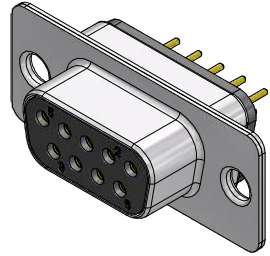
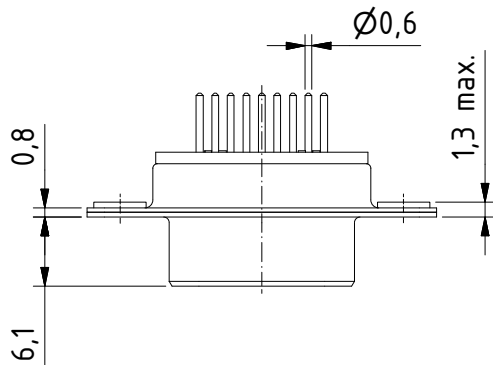
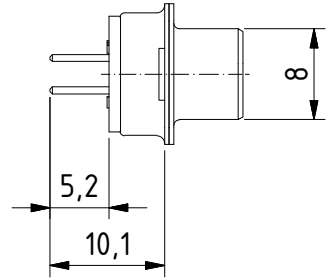
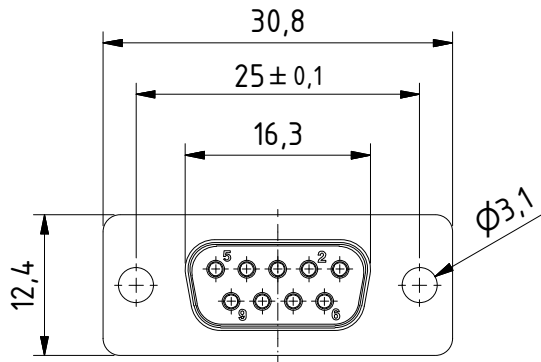


RoHS compliant



PCB Layout tolerances +/-0.1

Capacitor value 1'000 pF

MATERIALS

- Insulator: Thermoplastic UL 94-V-0 black
- Contact: Copper alloy
- Contact finish: Quality class 2
- Shell: steel tin plated

CHARAKTERISTICS

- Working voltage: 100V
- Current rating: 5A
- Contact resistance: max. 10mΩ - DIN41652
- Insulation resistance: >1GΩ
- Temperature range: -55° to +125°C

General tolerances (Deltron standard)			
size in mm	> 0,5 up to 3	> 3 up to 6	> 6 up to 120
Tolerances	±0,1	±0,2	±0,3

modification	Rev.	Rev.	Rev.	DE002688		
	Rev.	Rev.	Rev.	part no.		
D09SY/2FP102	1.5:1 scale	drawn	03.07.2012	mr		
		checked				
		approved				
 Industrie Neuhof 8c CH-3422 Kirchberg				K060919 drawing no.		