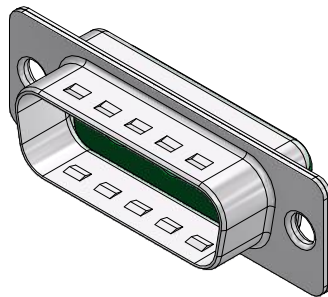
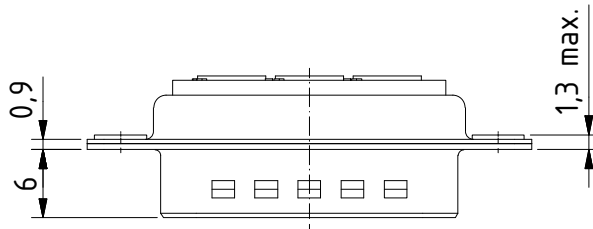
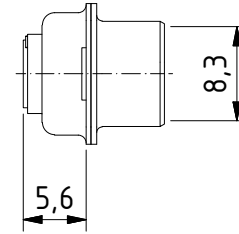
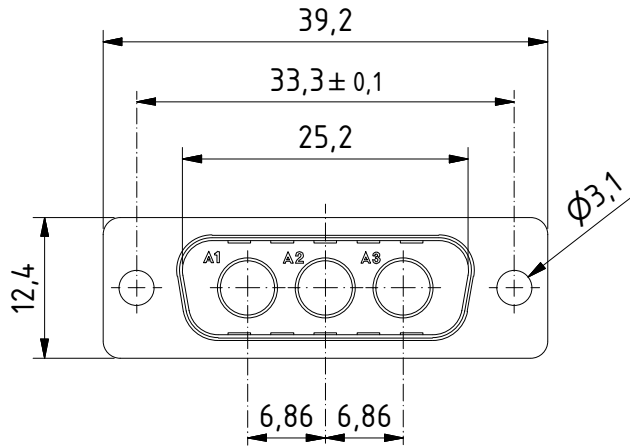


RoHS compliant



General tolerances (Delttron standard)			
size in mm			
> 0.5	> 3	> 6	> 30
up to 3	up to 6	up to 30	up to 120
tolerances			
±0.1	±0.2	±0.2	±0.3

MATERIALS

- Insulator: Thermoplastic UL 94-V-0 green
- Shell: steel tin plated

CHARAKTERISTICS

- Insulation resistance: >5GΩ
- Temperature range: -55° to +125°C

modification	Rev.	Rev.	Rev.	DE005545 part no.		
	Rev.	Rev.	Rev.			
DTS3W3P	1.5:1 scale	drawn	05.07.2010	mr		
		checked				
		approved				
 Industrie Neuhof 8c CH-3422 Kirchberg			K051150 drawing no.			