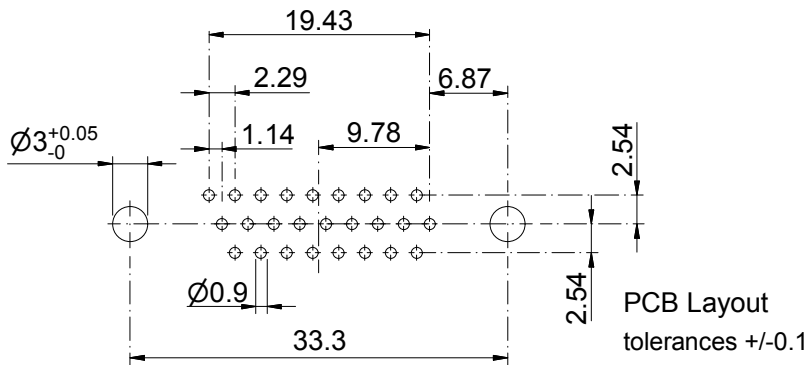
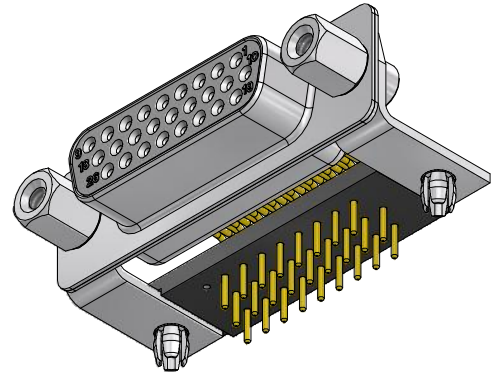
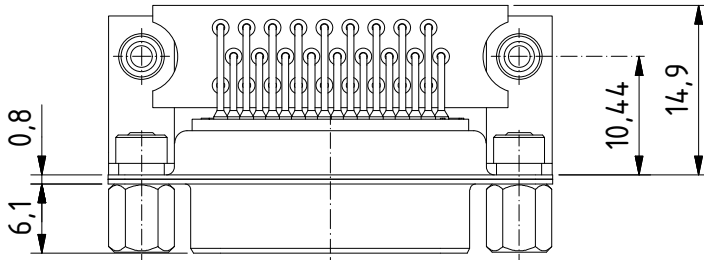
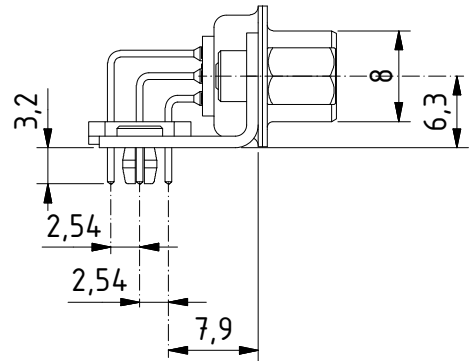
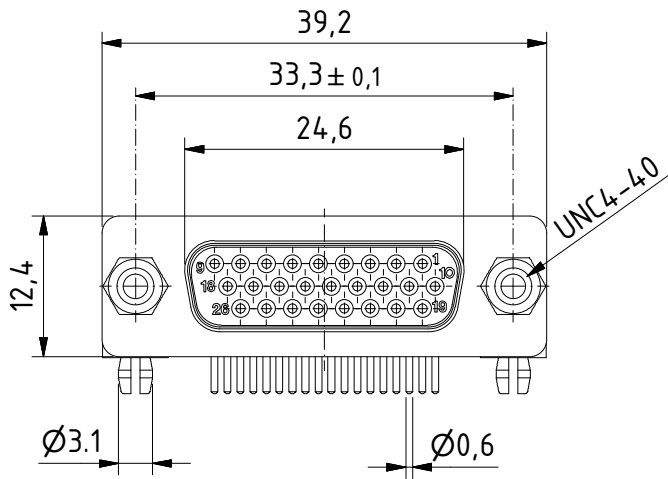


RoHS compliant



MATERIALS

- Insulator: Thermoplastic UL 94-V-0 white
- Contact: Copper alloy
- Contact finish: Quality class 2
- Shell: steel tin plated

CHARAKTERISTICS

- Working voltage: 60V
- Current rating: 3A
- Contact resistance: max. 10mΩ - DIN41652
- Insulation resistance: >5GΩ
- Temperature range: -55° to +125°C

General tolerances (Deltron standard)		size in mm		
		> 0.5 up to 3	> 3 up to 6	> 6 up to 30
Tolerances			±0.2	±0.2
			±0.1	±0.3

modification	Rev.	Rev.	Rev.	DE014404 part no.		
	Rev.	Rev.	Rev.			
HD-D26SYC/2M47HUNB6	1.5:1 scale	drawn	21.04.2010	mr		
		checked				
		approved				
 Industrie Neuhof 8c CH-3422 Kirchberg		K060556 drawing no.				