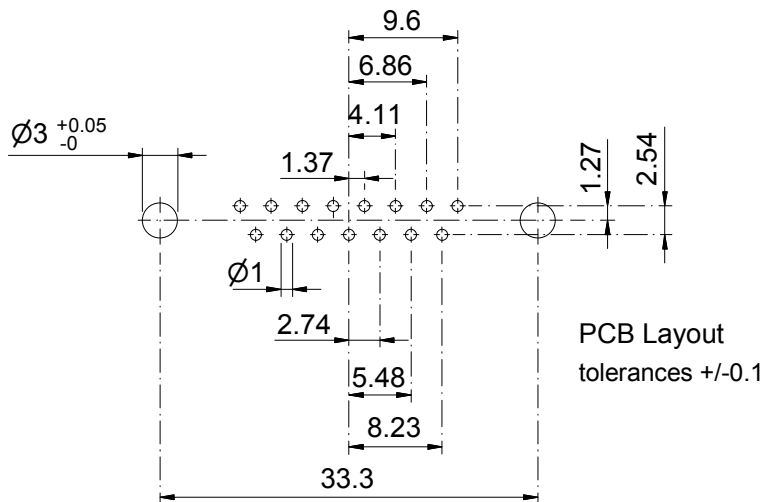
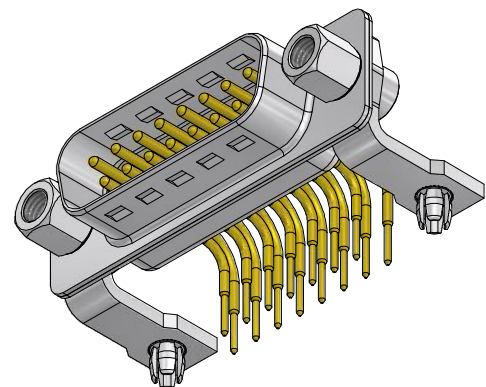
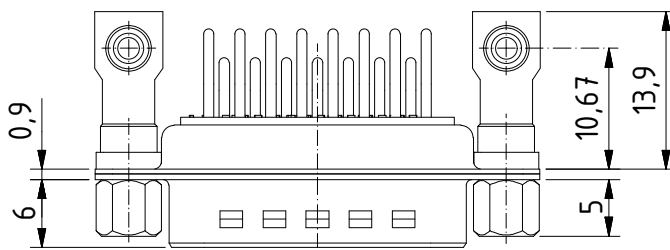
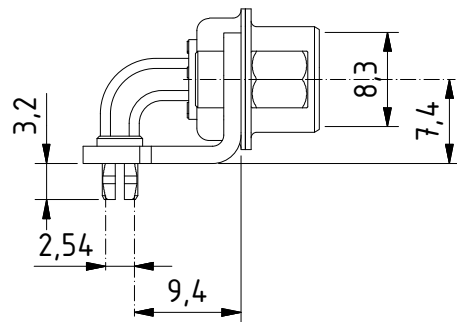
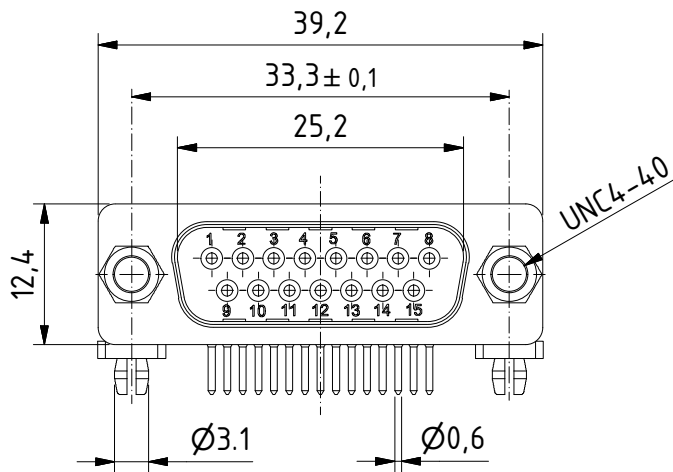


RoHS compliant



**MATERIALS**

- Insulator: Thermoplastic UL 94-V-0 white
- Contact: Copper alloy
- Contact finish: Quality class 2
- Shell: steel tin plated

**CHARAKTERISTICS**

- Working voltage: 125V
- Current rating: 5A
- Contact resistance: max. 10mΩ - DIN41652
- Insulation resistance: >5GΩ
- Temperature range: -55° to +125°C

General tolerances (Delttron standard)			
size in mm			
> 0.5	> 3	> 6	> 30
up to 3	up to 6	up to 30	up to 120
tolerances			
±0.1	±0.2	±0.2	±0.3

modification	Rev.	Rev.	Rev.	DE015366 part no.		
	Rev.	Rev.	Rev.			
DTS15PYC/2M47UNB5	1.5:1 scale	drawn	28.03.2011	nf		
		checked				
		approved				
 Industrie Neuhof 8c CH-3422 Kirchberg			K060705 drawing no.			