

REVISION RECORD				
REV	ECN	DESCRIPTION	DRFT	DATE

NOTES1:  
 UL Standard  
 1.Rated Voltage/Current : 300V / 12A  
 2.Torque Value : M3 , 5.10Lb.in  
 3.Wire Range : 26~14AWG

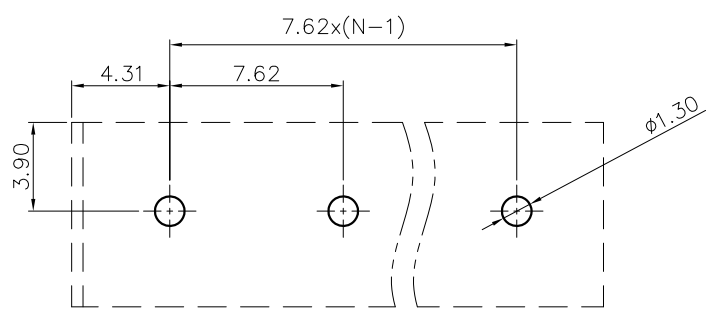
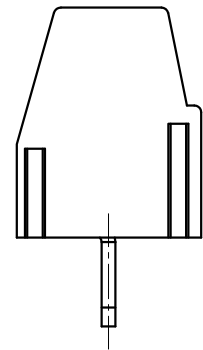
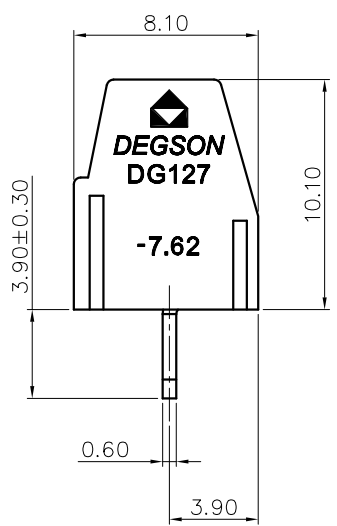
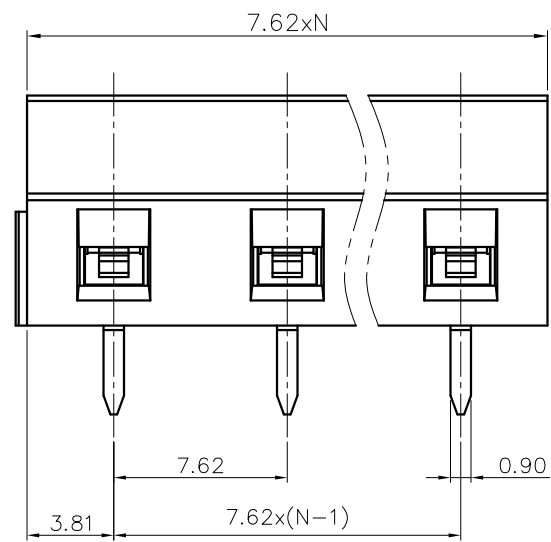
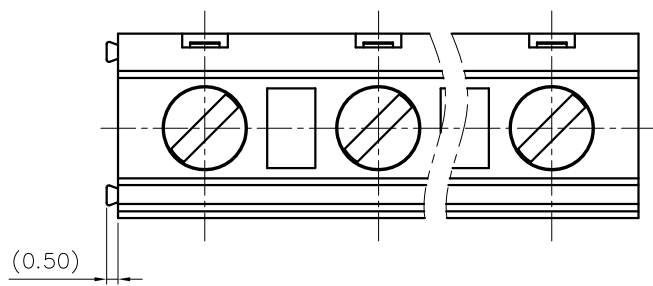
IEC Standard  
 1.Rated Voltage/Current : 450V / 15A  
 2.Torque Value : M3 , 0.5N.m  
 3.Wire Range : 0.75~1.5mm<sup>2</sup>

NOTES2:  
 1.Dimension shall be interpreted per ASME Y14.5-2009  
 2.Pitch : 7.62mm, Poles : N=02~12P  
 3.Stripping length : 6~7mm  
 4.Withstanding Voltage : AC2500V/1Min.  
 5.Operating temperature:-40°C~+105°C  
 6.Undimensioned Tolerances:

Pitch range in mm		Nominal dimension range in mm				0.1/10
TO	Over	TO	TO	TO	TO	
6	6	10	30	60	100	150
	10	24	60	100	150	
±0.15	±0.20	±0.30	±0.30	±0.50	±0.70	±1.00
						±1.30
						±2'

7.RoHS Compliance

DG127 - 7.62 - XXP - 1Y - 00A (H)  
 (Series No.) (Pitch) (Poles) (Single Pitch) (RoHS)  
 00A-(Standard)  
 (Color): 1.(Grey)2.(Blue)3.(Black)4.(Green)5.(Orange)  
 6.(Red)7.(Transparent)8.(Yellow)9.(White)



PCB LAYOUT

DETACHED LISTS	PART NO.:	宁波高松电子有限公司 NINGBO DEGSON ELECTRICAL CO., LTD			
	APPD:	NAME: DG127-7.62-XXP-1Y-00A(H)			
	CHKD:	TITLE: CUSTOMER DRAWING			
	DRFT:	DRAWING NO.:		REV	DO
THIRD ANGLE PROJECTION		MM (INCH)	DO NOT SCALE DRAWING	SHEET	1/1
			SCALE	1:1	

H  
G  
F  
E  
D  
C  
B  
A

H  
G  
F  
E  
D  
C  
B  
A