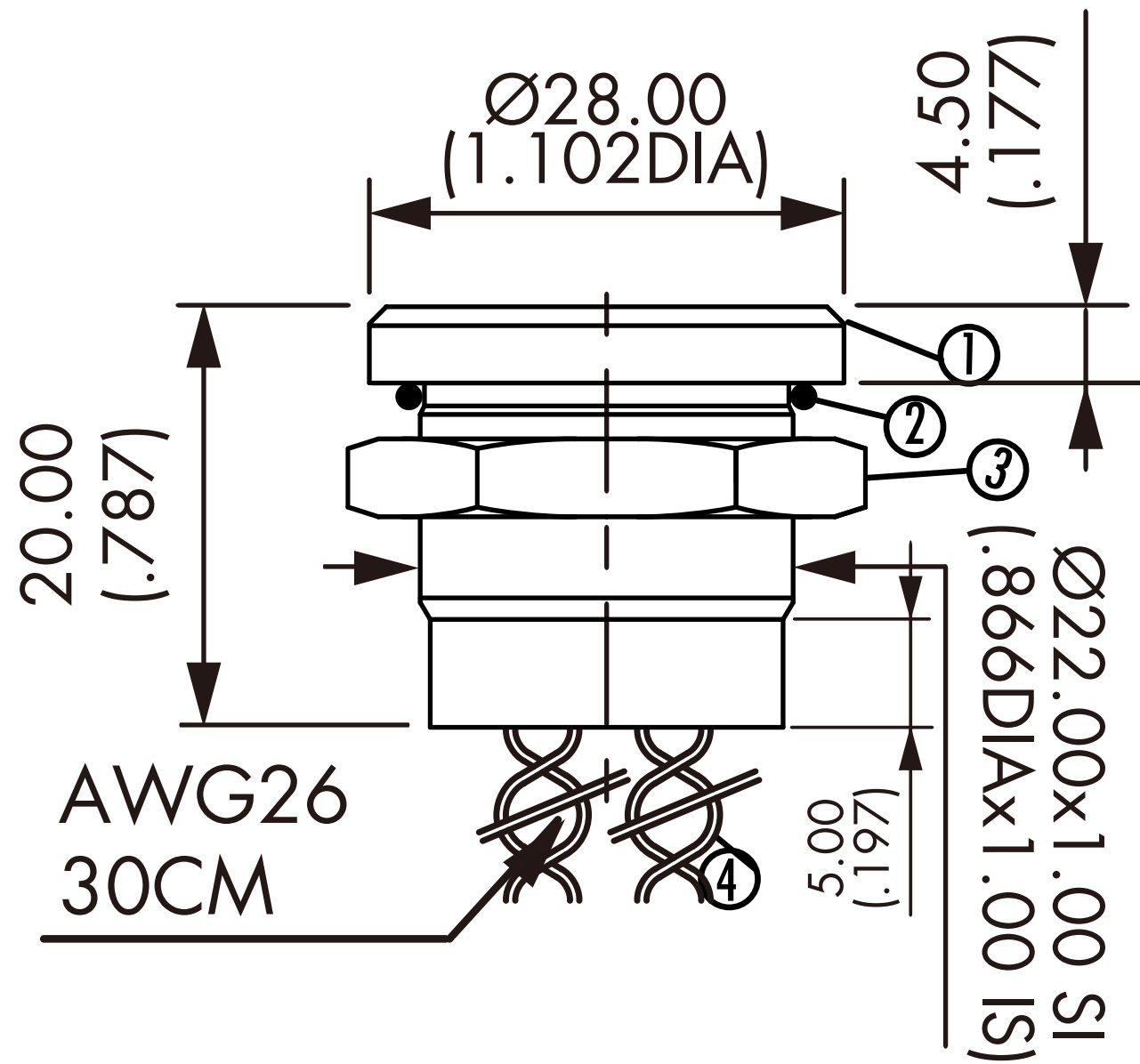


PRZ WPS225C10YEG12T/AL

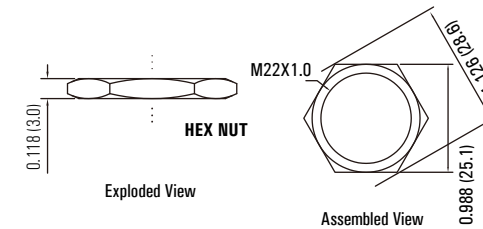


- NUT MATERIAL: BRASS (Ni COATED)
- CONNECTION: 4PVC WIRE AWG26 30CM (2PVC WIRES RED FOR SW. BLACK & COLOR FOR LED)
- SWITCHING VOLTAGE: 1-24 V AC/DC
- MAX SWITCHING CURRENT: 30 mA
- SWITCH RESISTANCE "ON": <20 Ohm
- SWITCH RESISTANCE "OFF": >5 MOhm
- ACTUATION FORCE: 6 -15 N
- N.O. CLOSING IMPULSE DURATION (DEPENDING ON ACTUATING FORCE, TIME, SPEED)
20 - 2000 mSec.
- OPERATING TEMP.: -40 °C TO +70 °C
- STORAGE TEMP.: -40 °C TO +85 °C
- ESD/EMI/RFI: No Effect
- To Each LED To Limit Current to 20mA, Voltage for request.

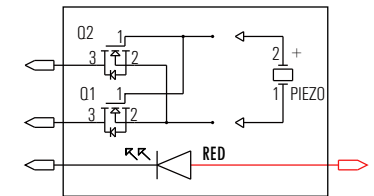
FINISH:

- ANODIZE THICKNESS: 6-10 μ
- ANODIZE COLOR: NATURALV

Millimetre Dimensions in Brackets



SWITCH SCHEME:



Ring Illum.:

