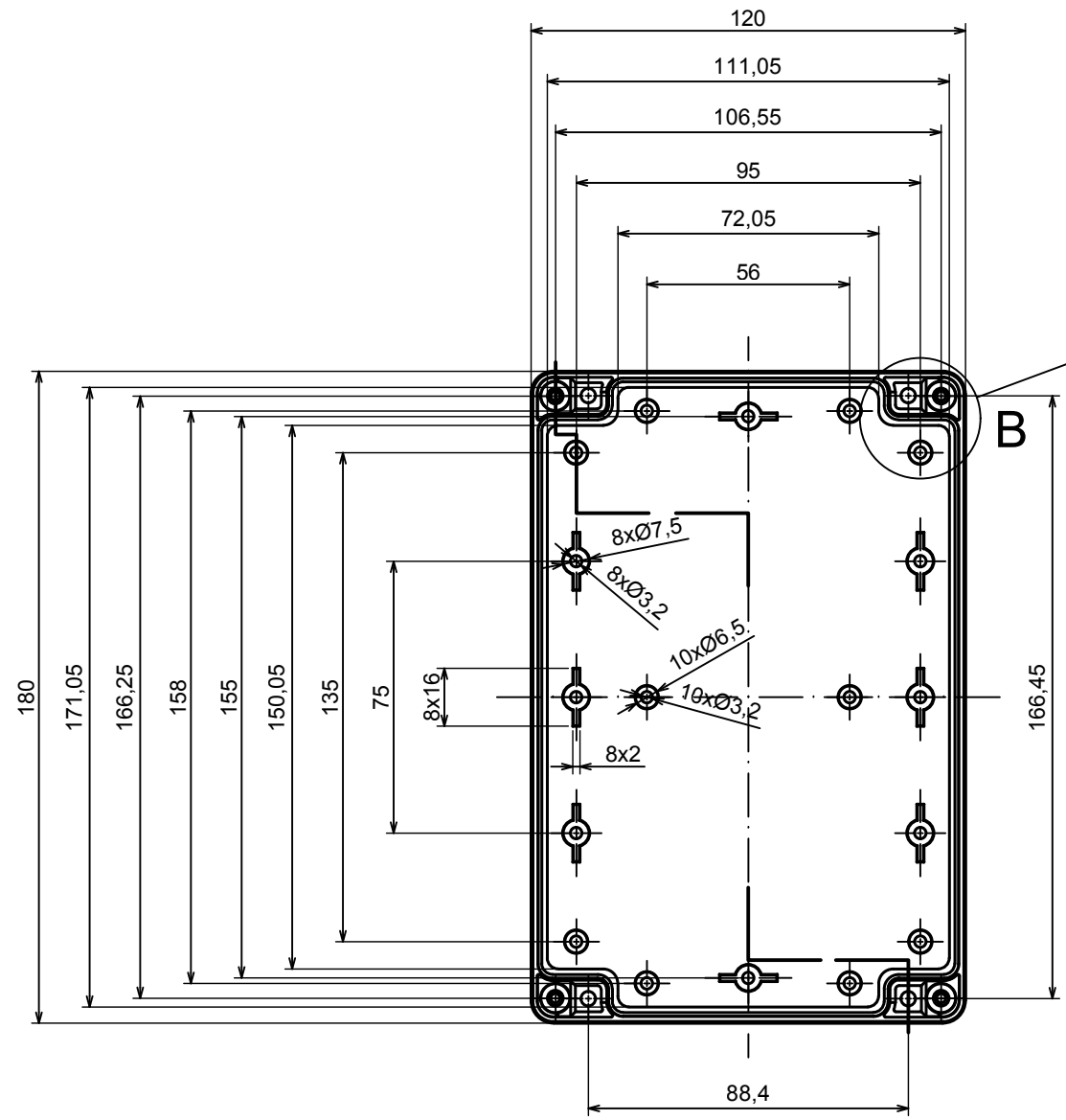
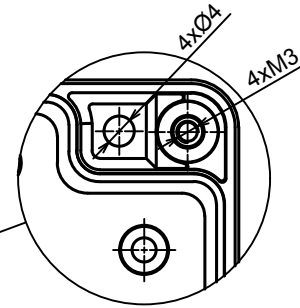


A |



B (1:1)



| A

A-A

