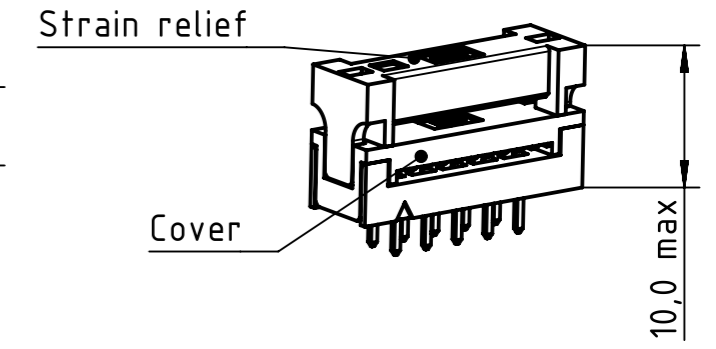
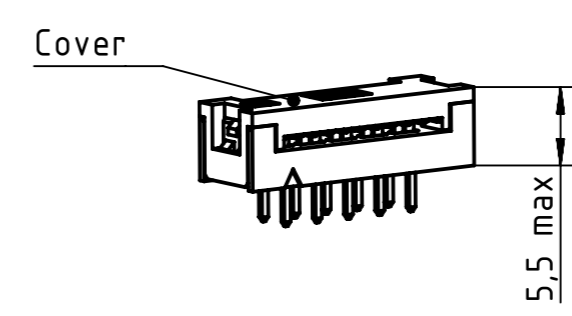


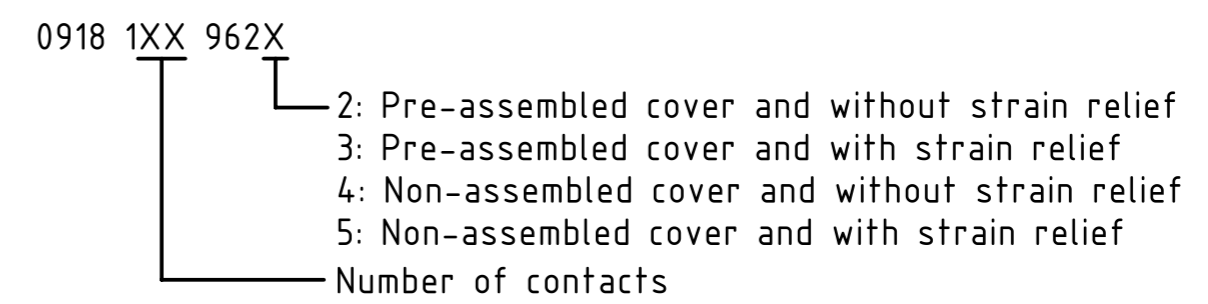
Assembled cover without strain relief

Assembled cover with strain relief



Number of contacts	Part Number	Dim A	Dim B	Dim C	Packing quantity
4	0918 104 962X	10,38	2,54	2,54	100pcs/packing
6	0918 106 962X	12,92	5,08	5,08	
8	0918 108 962X	15,46	7,62	7,62	
10	0918 110 962X	18,00	10,16	10,16	
14	0918 114 962X	23,08	15,24	15,24	
16	0918 116 962X	25,62	17,78	17,78	
20	0918 120 962X	30,70	22,86	22,86	
24	0918 124 962X	35,78	27,94	27,94	
26	0918 126 962X	38,32	30,48	30,48	50pcs/packing
30	0918 130 962X	43,40	35,56	35,56	
34	0918 134 962X	48,48	40,64	40,64	
50	0918 150 962X	68,80	60,96	60,96	
64	0918 164 962X	86,58	78,74	78,74	

Numbering system:



Note: strain relief can be ordered separately: P/N 0918 1XX 9002.
 technical information available on separate document ref.: DS 09185100600.

	All rights reserved	Created by SHENGJ	Inspected by WANGSTE	Standardisation HOFFMANN	Date 2015-11-19	State Final Release
	Department EC PD - CN	Title SEK 2rows straight pins assembly			Doc-Key / ECM-Nr. 100523414/UGD/001/C 50000097498	
HARTING Electronics GmbH D-32339 Espelkamp		Type TB	Number 09181XX962X		Rev. C	Page 1/1