

52mm sq.

San Ace 52

15mm thick



General Specifications With a pulse sensor Specifications for pulse sensors ⇔ Refer to Page 291

- Material Frame: Plastics (Flammability: UL94V-0),
Impeller: Plastics (Flammability: UL94V-1)
- Life Expectancy Varies for each model (L10: Survival rate: 90% at 60°C, rated voltage, and continuously run in a free air state)
- Lead Wire ⊕ red ⊖ black or blue Sensor yellow
- Storage Temperature -30°C to +70°C (Non-condensing)

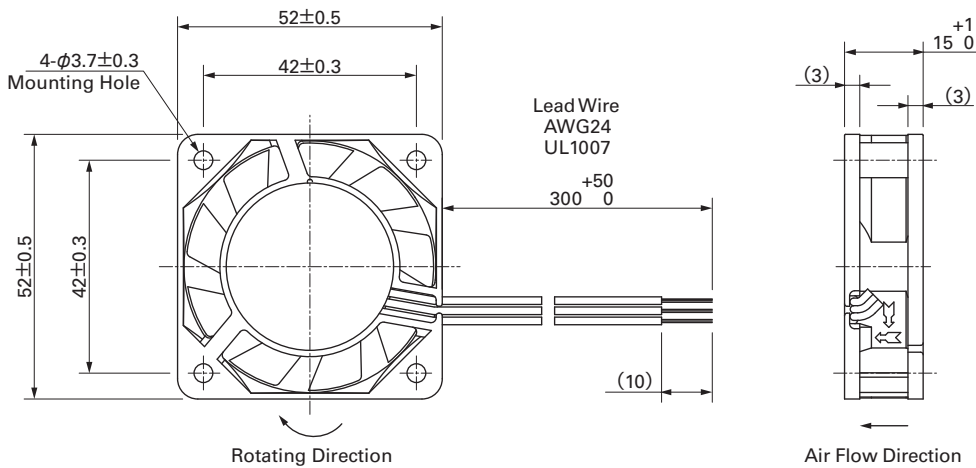
52×52×15mm (Mass : 55g)

Specifications

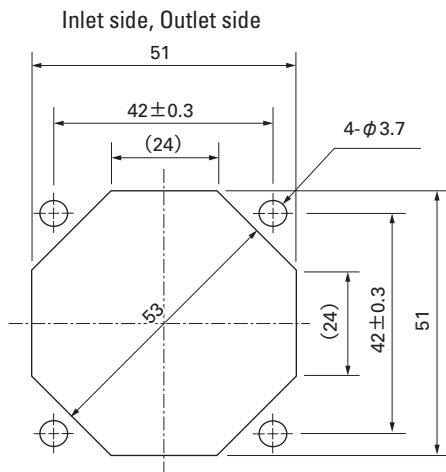
Model No.	Rated Voltage [V]	Operating Voltage Range [V]	Rated Current [A]	Rated Input [W]	Rated Speed [min ⁻¹]	Air Flow [m ³ /min] [CFM]		Static Pressure [Pa] [inchH ₂ O]		SPL [dB(A)]	Operating Temperature [°C]	Life Expectancy [h]
109P0505M701	5	4.5 to 5.5	0.15	0.75	3,700	0.205	7.24	21.4	0.086	22	-10 to +70	60,000
109P0512A701	12	10.2 to 13.8	0.21	2.52	6,800	0.375	13.25	69.7	0.280	36		40,000
109P0512H701		7 to 13.8	0.10	1.20	4,600	0.255	9.00	31.9	0.128	27		60,000
109P0512M701			0.07	0.84	3,700	0.205	7.24	21.4	0.086	22		
109P0524A701	24	14 to 27.6	0.11	2.64	6,800	0.375	13.24	69.7	0.280	36	-10 to +60	40,000
109P0524H701			0.05	1.20	4,600	0.255	9.00	31.9	0.128	27	-10 to +70	60,000
109P0524M701			0.04	0.96	3,700	0.205	7.24	21.4	0.086	22		

Without Sensor Pulse Sensor Available in all models. Lock Sensor Please inquire as the availability of these functions depend on the model.

Dimensions (Unit : mm)



Reference dimension of mounting holes and vent opening (Unit : mm)

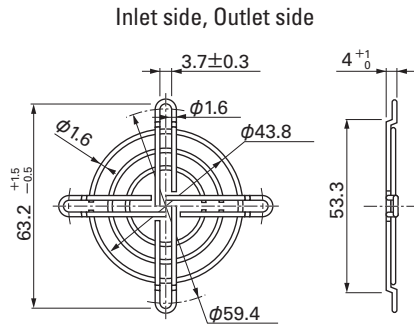
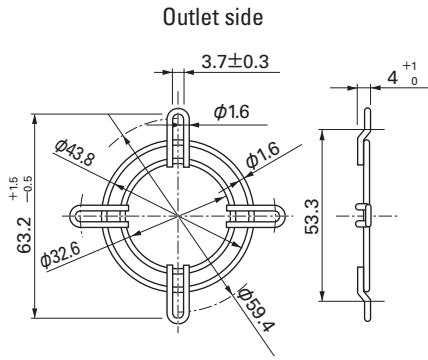


Options (Unit : mm)

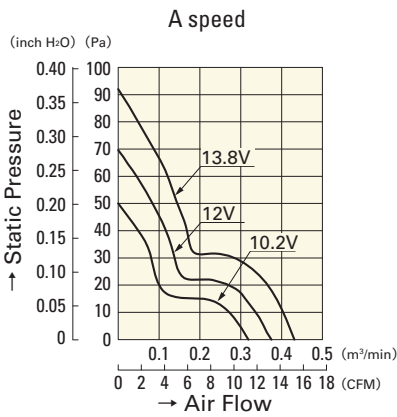
Finger guards

Model : 109-149 Surface treatment : Nickel-chrome plating Color (silver)

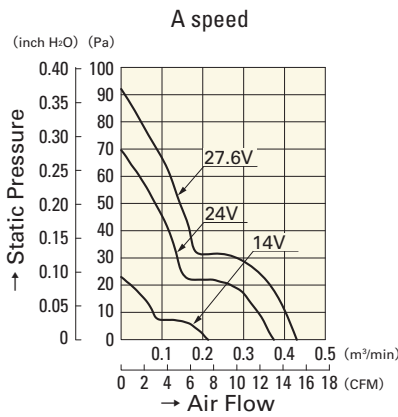
Model : 109-149E Surface treatment : Nickel-chrome plating Color (silver)



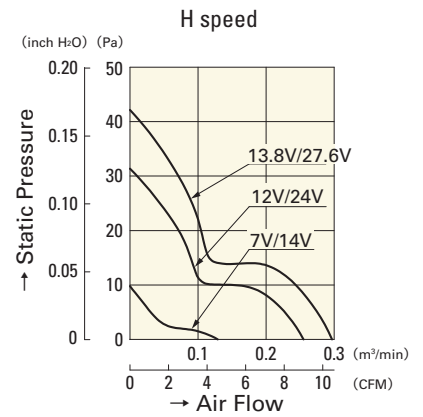
Air Flow - Static Pressure Characteristics



109P0512A701

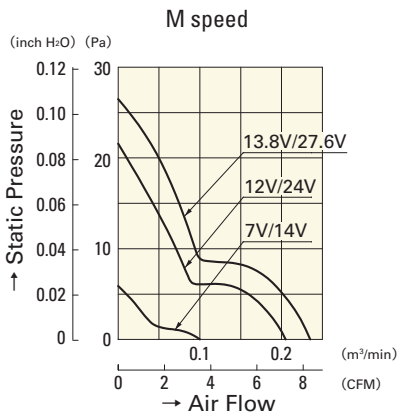


109P0524A701



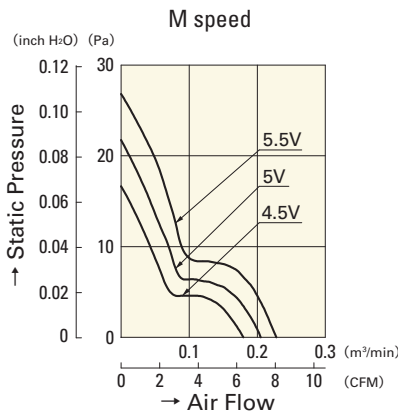
109P0512H701

109P0524H701



109P0512M701

109P0524M701



109P0505M701