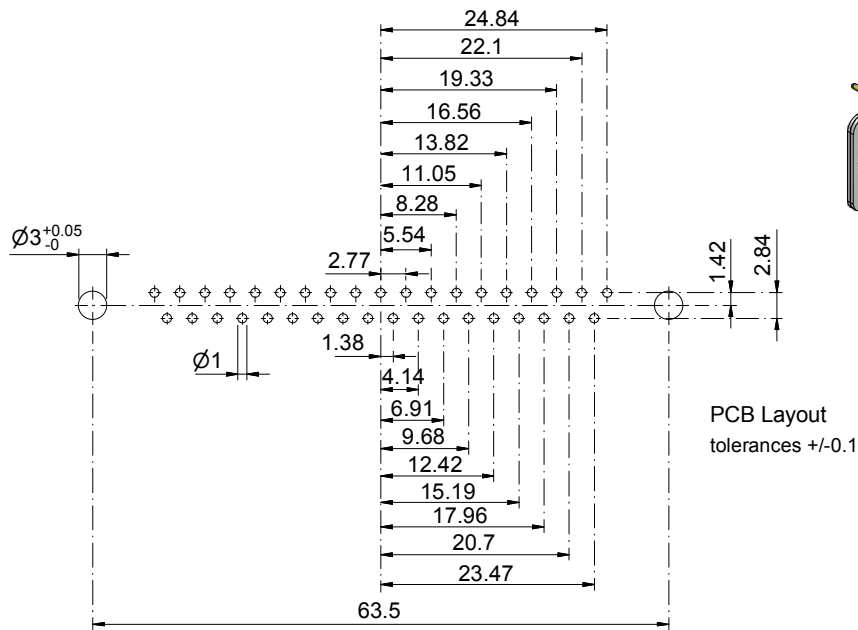
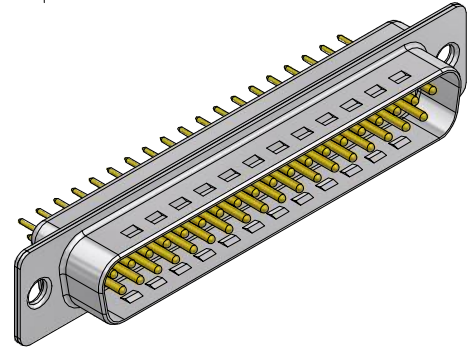
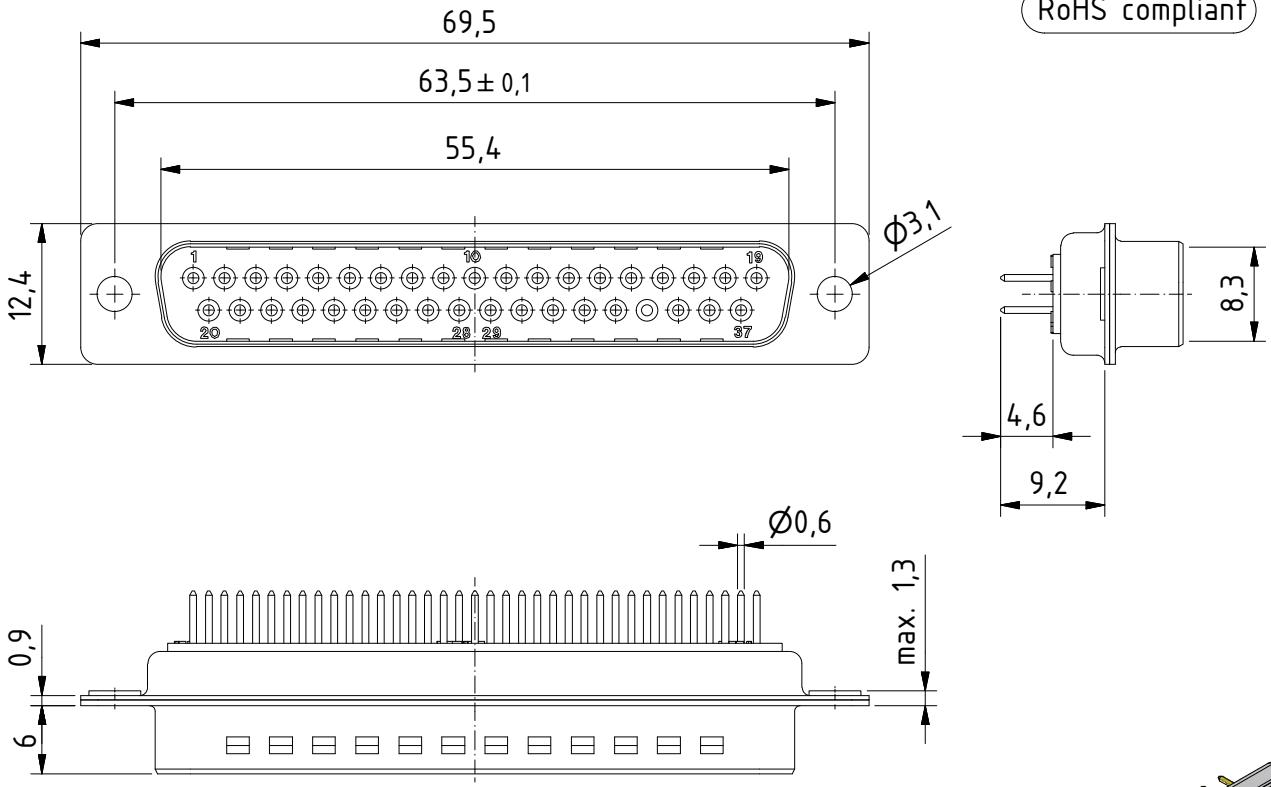


RoHS compliant



**MATERIALS**

- Insulator: Thermoplastic UL 94-V-0 white
- Contact: Copper alloy
- Contact finish: Quality class 2
- Shell: steel tin plated

**CHARAKTERISTICS**

- Working voltage: 125V
- Current rating: 5A
- Contact resistance: max. 10mΩ - DIN41652
- Insulation resistance: >5GΩ
- Temperature range: -55° to +125°C

General tolerances (Delttron standard)	
size in mm	
> 0.5 up to 3	±0.1
> 3 up to 6	±0.2
> 6 up to 30	±0.2
> 30 up to 120	±0.3
tolerances	

modification	Rev.	Rev.	Rev.	DE001299		
	Rev.	Rev.	Rev.	part no.		
DTS37PY/2	1.5:1 scale	drawn	27.10.2009	nf		
		checked				
		approved				
 Industrie Neuhof 8c CH-3422 Kirchberg				K050035 drawing no.		