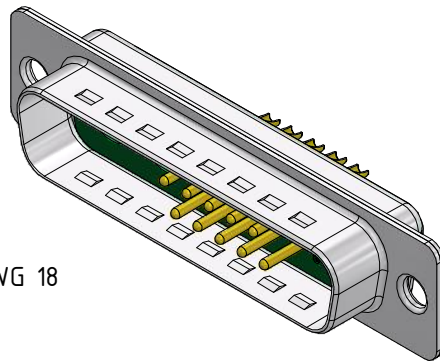
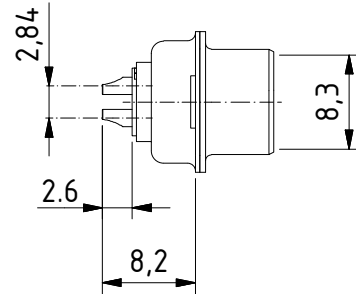
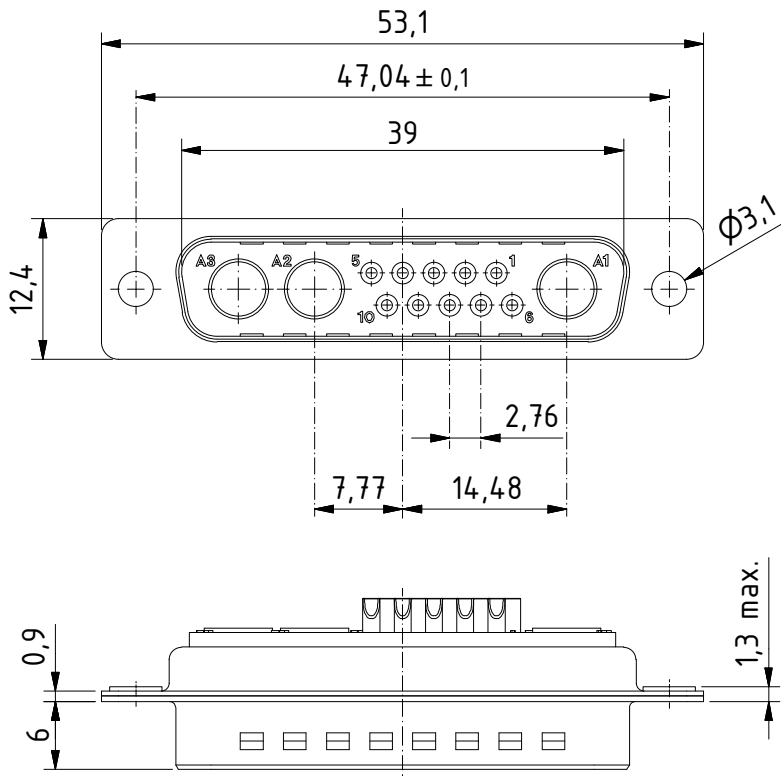


RoHS compliant



suitable for cable AWG 18

**MATERIALS**

- Insulator: Thermoplastic UL 94-V-0 green
- Contact: Copper alloy
- Contact finish: Quality class 2
- Shell: steel tin plated

**CHARAKTERISTICS**

- Working voltage: 125V
- Current rating: 5A/xxA
- Contact resistance: max. 10mΩ - DIN41652
- Insulation resistance: >5GΩ
- Temperature range: -55° to +125°C

General tolerances (Delttron standard)			
size in mm	> 0.5	> 3	> 6
up to 3	up to 6	up to 30	up to 120
tolerances			
	±0.1	±0.2	±0.3

modification	Rev.	Rev.	Rev.	DE001947 part no.		
	Rev.	Rev.	Rev.			
DTS13W3PZ/2	1.5:1 scale	drawn	31.03.2008	mr		
		checked				
		approved				
				K051092 drawing no.		