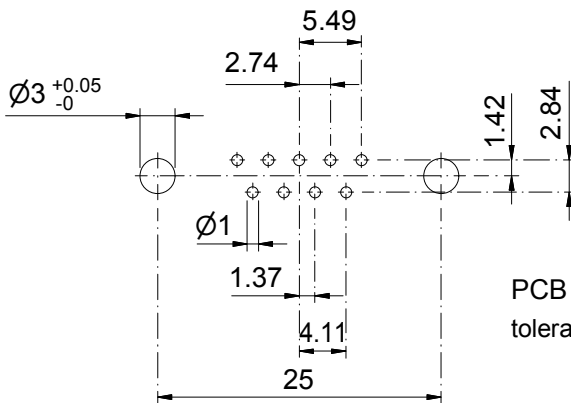
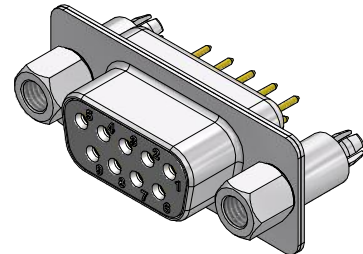
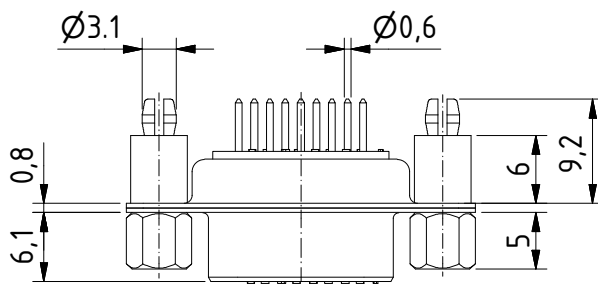
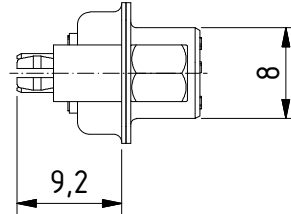
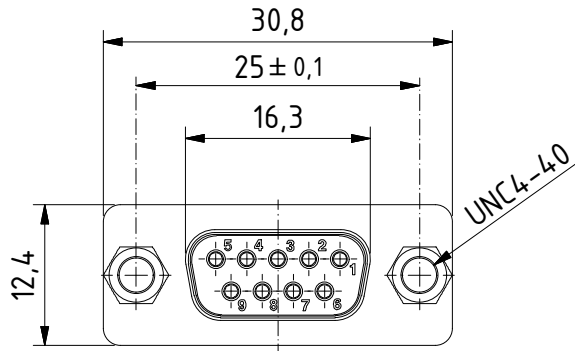


RoHS compliant



PCB Layout
tolerances +/-0.1


General tolerances (Deltatron standard)	
size in mm	
> 0.5	> 30
up to 3	up to 120
up to 3	> 6
up to 6	up to 30
up to 30	up to 120
tolerances	
±0.1	±0.2
±0.2	±0.3

MATERIALS

- Insulator: Thermoplastic UL 94-V-0 white
- Contact: Copper alloy
- Contact finish: Quality class 2
- Shell: steel tin plated

CHARAKTERISTICS

- Working voltage: 125V
- Current rating: 5A
- Contact resistance: max. 10mΩ - DIN41652
- Insulation resistance: >5GΩ
- Temperature range: -55° to +125°C

modification	Rev.	Rev.	Rev.	DE002382 part no.		
	Rev.	Rev.	Rev.			
DTS09SY/2M86UNB5	1.5:1 scale	drawn	02.11.2009	nf		
		checked				
		approved				
 Industrie Neuhof 8c CH-3422 Kirchberg		K060493 drawing no.				