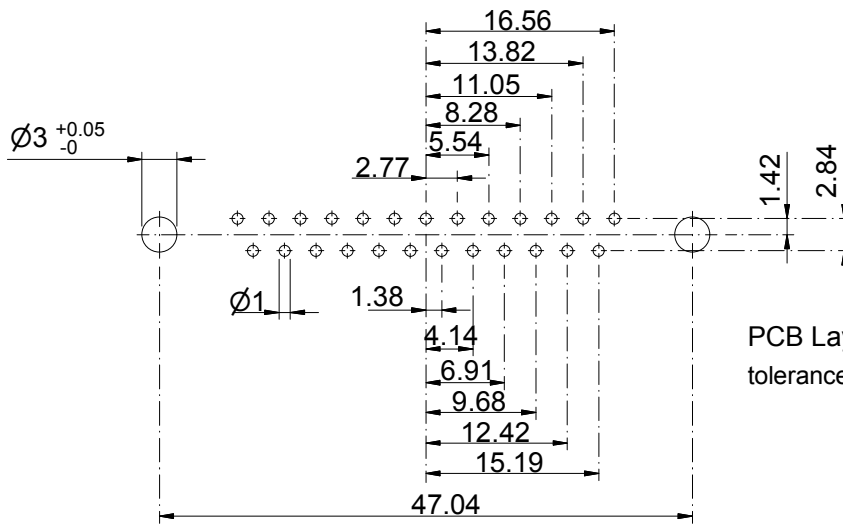
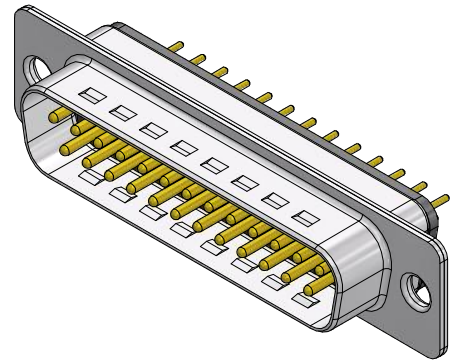
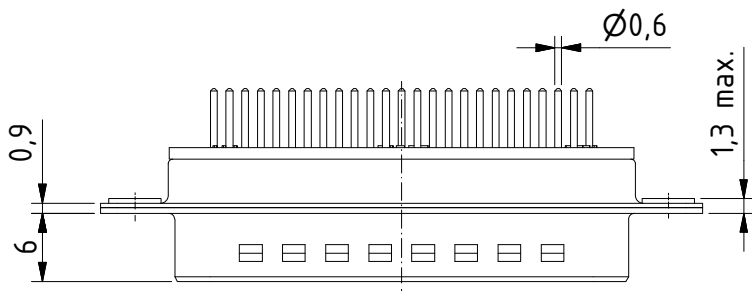
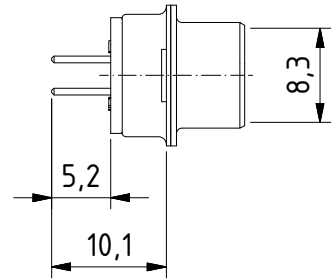
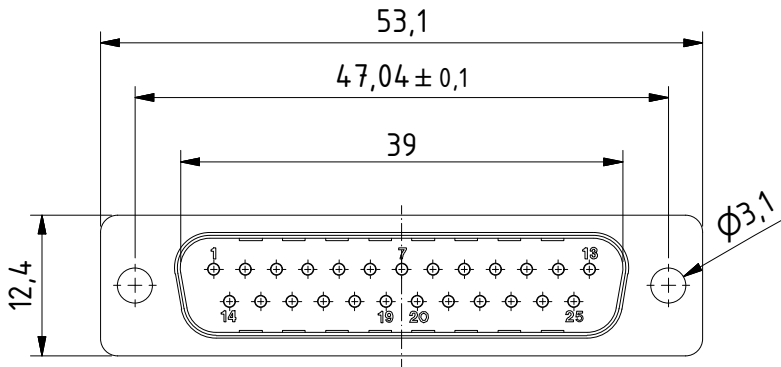


RoHS compliant



PCB Layout tolerances +/-0.1

Capacitor value 1'000 pF

MATERIALS

- Insulator: Thermoplastic UL 94-V-0 black
- Contact: Copper alloy
- Contact finish: Quality class 2
- Shell: steel tin plated

CHARAKTERISTICS

- Working voltage: 100V
- Current rating: 5A
- Contact resistance: max. 10mΩ - DIN41652
- Insulation resistance: >1GΩ
- Temperature range: -55° to +125°C

General tolerances (Dieltron standard)	
size in mm	
> 0.5	> 30
up to 3	up to 30
up to 6	up to 120
tolerances	
±0.1	±0.2
±0.2	±0.3

modification	Rev.	Rev.	Rev.	DE002722
	Rev.	Rev.	Rev.	
D25PY/2FP102	1.5:1	drawn	02.07.2012	mr
		checked		
		approved		
 Industrie Neuhof 8c CH-3422 Kirchberg				K060917 drawing no.