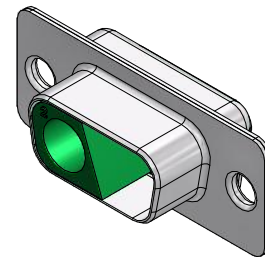
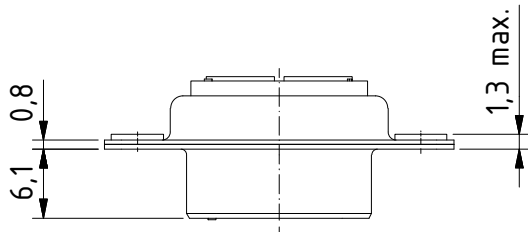
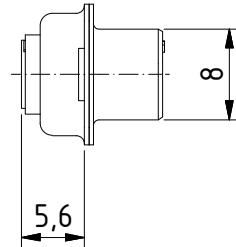
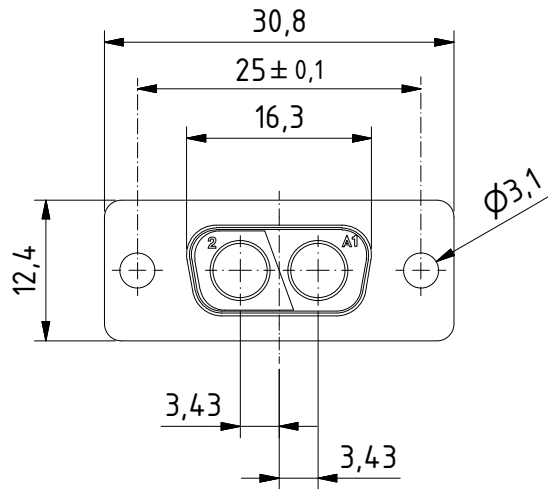


RoHS compliant




MATERIALS

- Insulator: Thermoplastic UL 94-V-0 green
- Shell: steel tin plated

CHARAKTERISTICS

- Insulation resistance: >5GΩ
- Temperature range: -55° to +125°C

General tolerances (Delttron standard)			
size in mm	tolerances		
	> 0.5 up to 3	> 3 up to 6	> 6 up to 30
±0.1	±0.2	±0.2	±0.3

modification	Rev.	Rev.	Rev.	DE009778 part no.		
	Rev.	Rev.	Rev.			
DTS2W2SP	1.5:1 scale	drawn	13.02.2006	mr		
		checked				
		approved				
 Industrie Neuhof 8c CH-3422 Kirchberg		K060057 drawing no.				