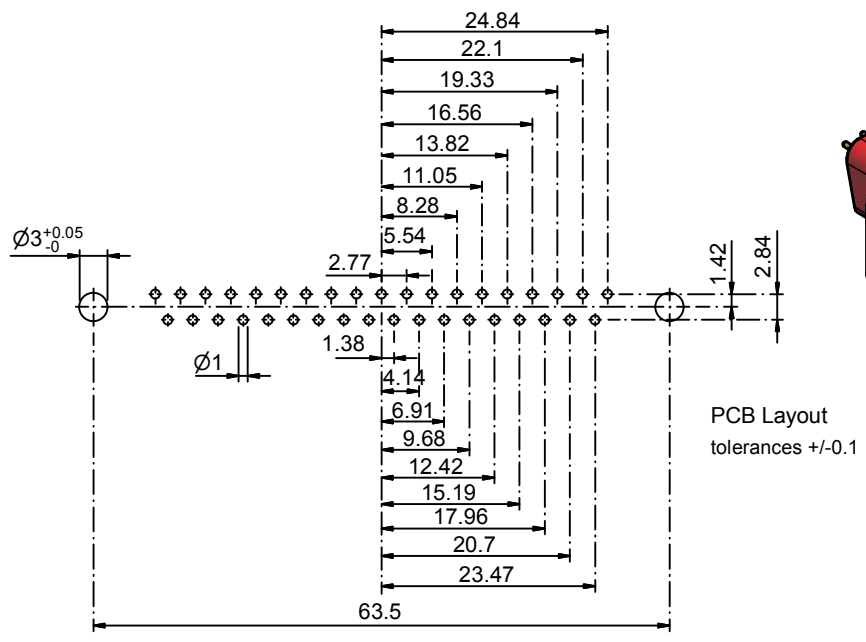
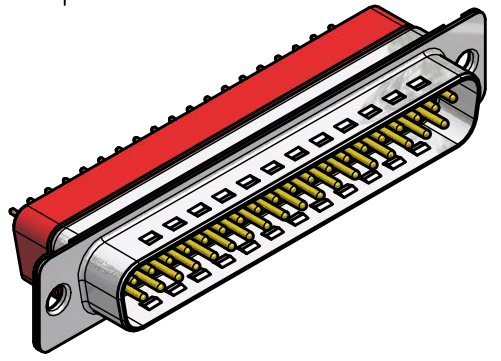
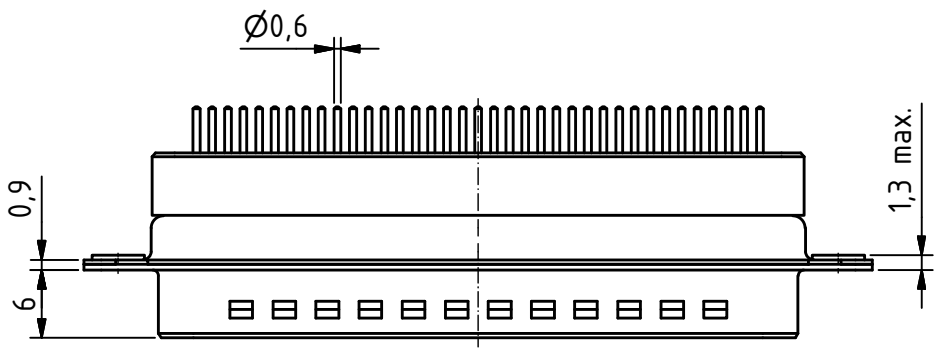
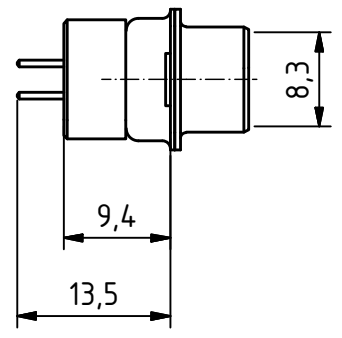
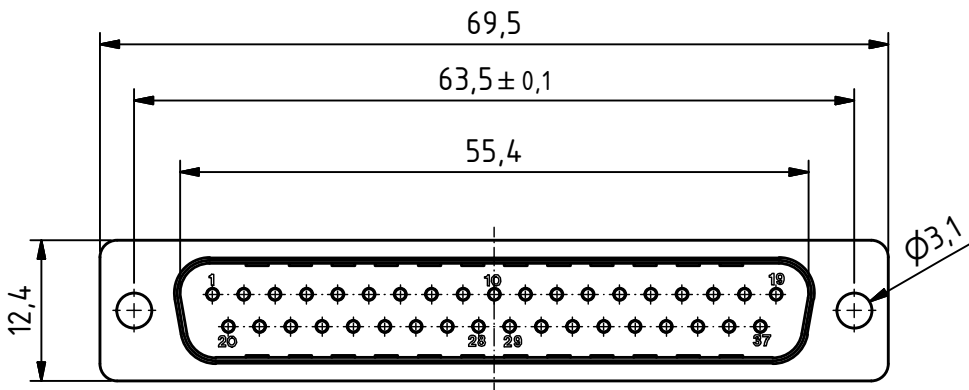


RoHS compliant



PCB Layout tolerances +/-0.1

Capacitor value 470 pF

MATERIALS

- Insulator: Thermoplastic UL 94-V-0 black
- Contact: Copper alloy
- Contact finish: Quality class 2
- Shell: steel tin plated

CHARAKTERISTICS

- Working voltage: 100V
- Current rating: 5A
- Contact resistance: max. 10mΩ - DIN41652
- Insulation resistance: >1GΩ
- Temperature range: -55° to +125°C

General tolerances (Deltron standard)	
size in mm	
> 0,5	> 30
up to 3	up to 120
up to 6	up to 30
up to 30	up to 6
tolerances	
±0,1	±0,2
±0,2	±0,3

modification	Rev.	Rev.	Rev.	DE010981		
	Rev.	Rev.	Rev.	part no.		
D37PY/2Pi471	1.5:1	scale	drawn	15.03.2016	mw	
			checked			
			approved			
 Industrie Neuhof 8c CH-3422 Kirchberg			K062478			
			drawing no.			