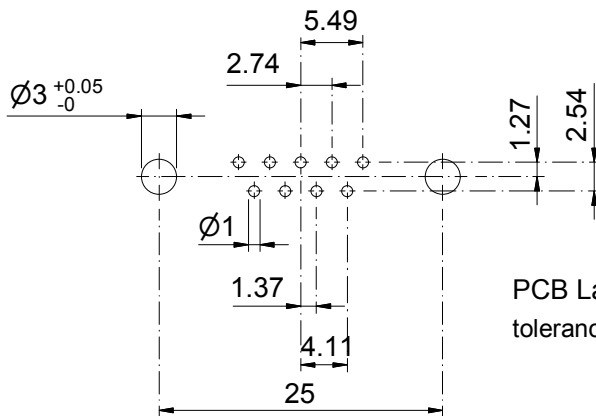
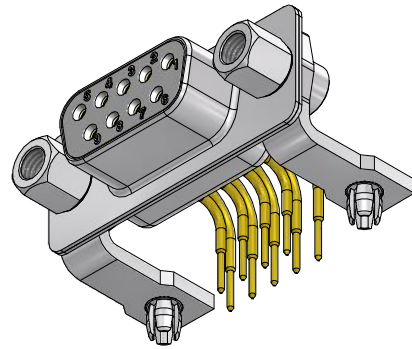
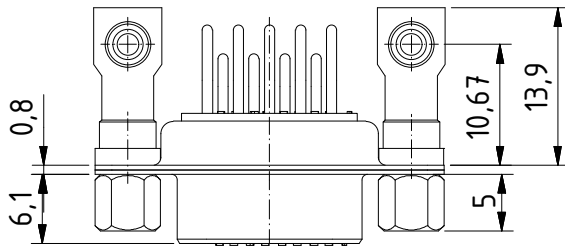
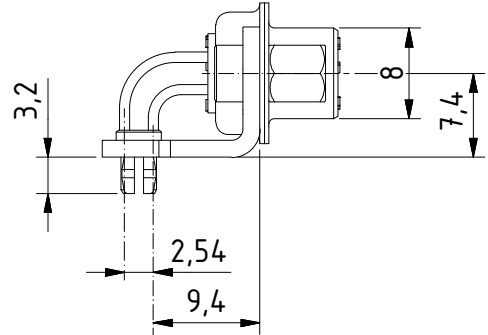
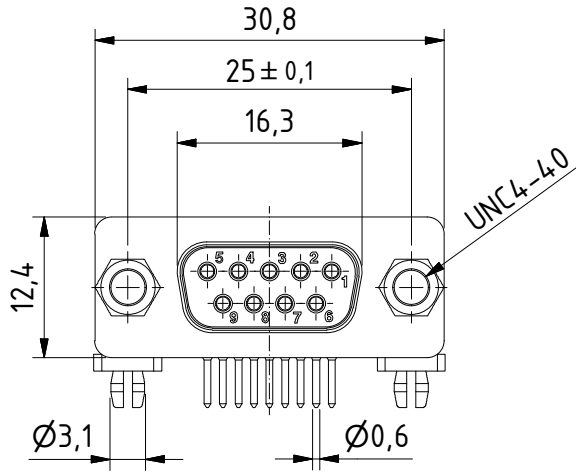


RoHS compliant



PCB Layout  
tolerances +/-0.1


General tolerances (Deltron standard)	
size in mm	
> 0.5 up to 3	±0.1
> 3 up to 6	±0.2
> 6 up to 30	±0.2
> 30 up to 120	±0.3
Tolerances	
±0.1	±0.2
±0.2	±0.3

**MATERIALS**

- Insulator: Thermoplastic UL 94-V-0 white
- Contact: Copper alloy
- Contact finish: Quality class 2
- Shell: steel tin plated

**CHARAKTERISTICS**

- Working voltage: 125V
- Current rating: 5A
- Contact resistance: max. 10mΩ - DIN41652
- Insulation resistance: >5GΩ
- Temperature range: -55° to +125°C

modification	Rev.	Rev.	Rev.	DE011577		
	Rev.	Rev.	Rev.	part no.		
DTS09SYC/2M47UNB5	1.5:1 scale	drawn	13.03.2013	mw		
		checked				
		approved				
 Industrie Neuhof 8c CH-3422 Kirchberg			K061324 drawing no.			