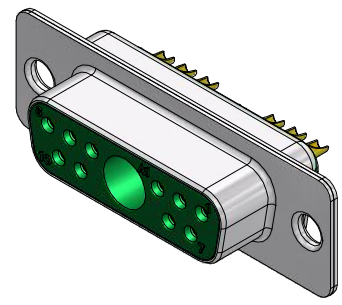
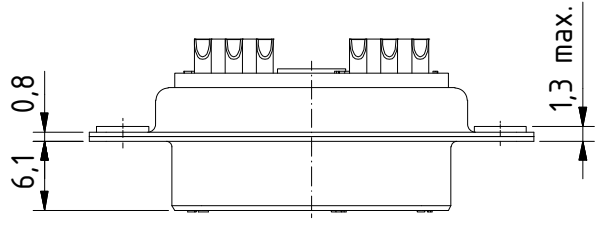
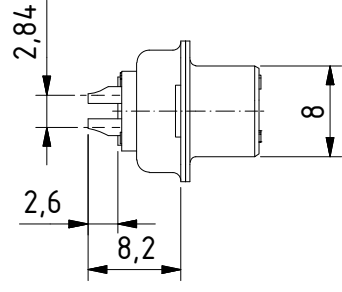
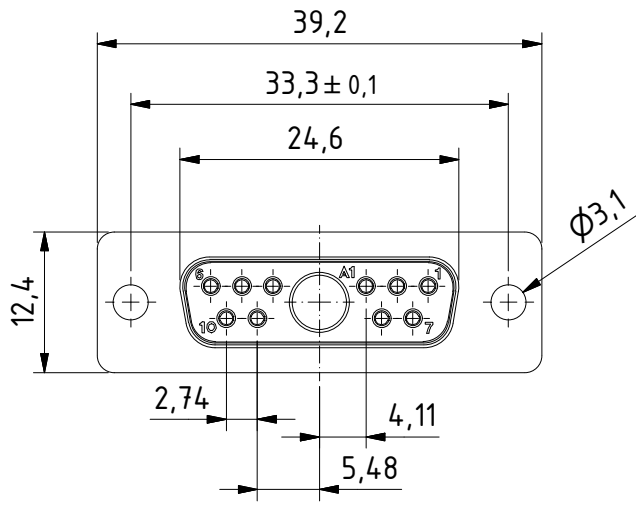


RoHS compliant



suitable for cable AWG 18

**MATERIALS**

- Insulator: Thermoplastic UL 94-V-0 green
- Contact: Copper alloy
- Contact finish: Quality class 2
- Shell: steel tin plated

**CHARAKTERISTICS**

- Working voltage: 125V
- Current rating: 5A/xxA
- Contact resistance: max. 10mΩ - DIN41652
- Insulation resistance: >5GΩ
- Temperature range: -55° to +125°C

|  |                  |                |                 |
|--|------------------|----------------|-----------------|
| <b>General tolerances (Deltron standard)</b> |                  |                |                 |
| size in mm                                   | > 0.5<br>up to 3 | > 3<br>up to 6 | > 6<br>up to 30 |
| tolerances                                   | ±0.1             | ±0.2           | ±0.3            |

|   |                |          |            |                        |  |  |
|---|----------------|----------|------------|------------------------|--|--|
| modification                              | Rev.           | Rev.     | Rev.       | DE012427<br>part no.   |  |  |
|   | Rev.           | Rev.     | Rev.       |                        |  |  |
| DTS11W1SZ/2                               | 1.5:1<br>scale | drawn    | 14.12.2012 | mr                     |  |  |
|   |                | checked  |            |                        |  |  |
|   |                | approved |            |                        |  |  |
| <br>Industrie Neuhof 8c CH-3422 Kirchberg |                |          |            | K061048<br>drawing no. |  |  |