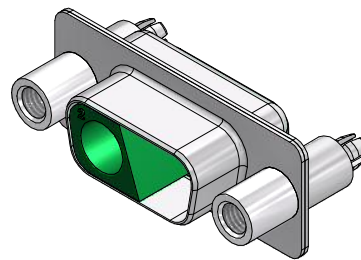
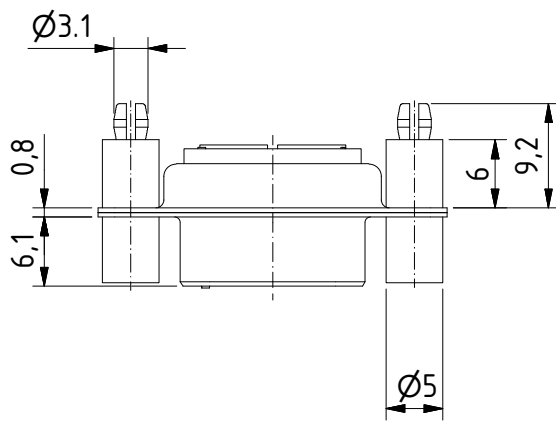
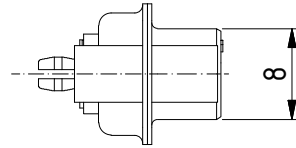
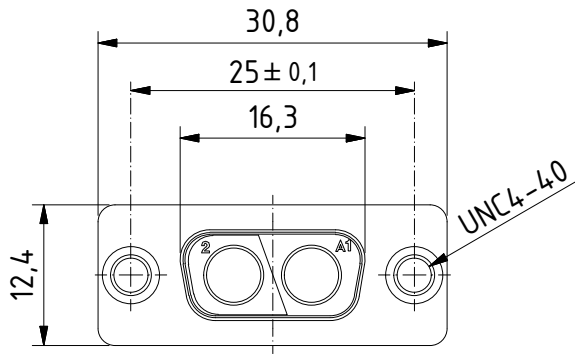


RoHS compliant



MATERIALS

- Insulator: Thermoplastic UL 94-V-0 green
- Shell: steel tin plated

CHARAKTERISTICS

- Insulation resistance: >5GΩ
- Temperature range: -55° to +125°C

General tolerances (Deltron standard)			
size in mm	> 0.5	> 3	> 30
	up to 3	up to 6	up to 120
tolerances	±0.1	±0.2	±0.3

modification	Rev.	Rev.	Rev.	DE015231 part no.		
	Rev.	Rev.	Rev.			
DTS2W2SPM88UN	1.5:1 scale	drawn	03.07.2013	mw		
		checked				
		approved				
 Industrie Neuhof 8c CH-3422 Kirchberg		K061448 drawing no.				