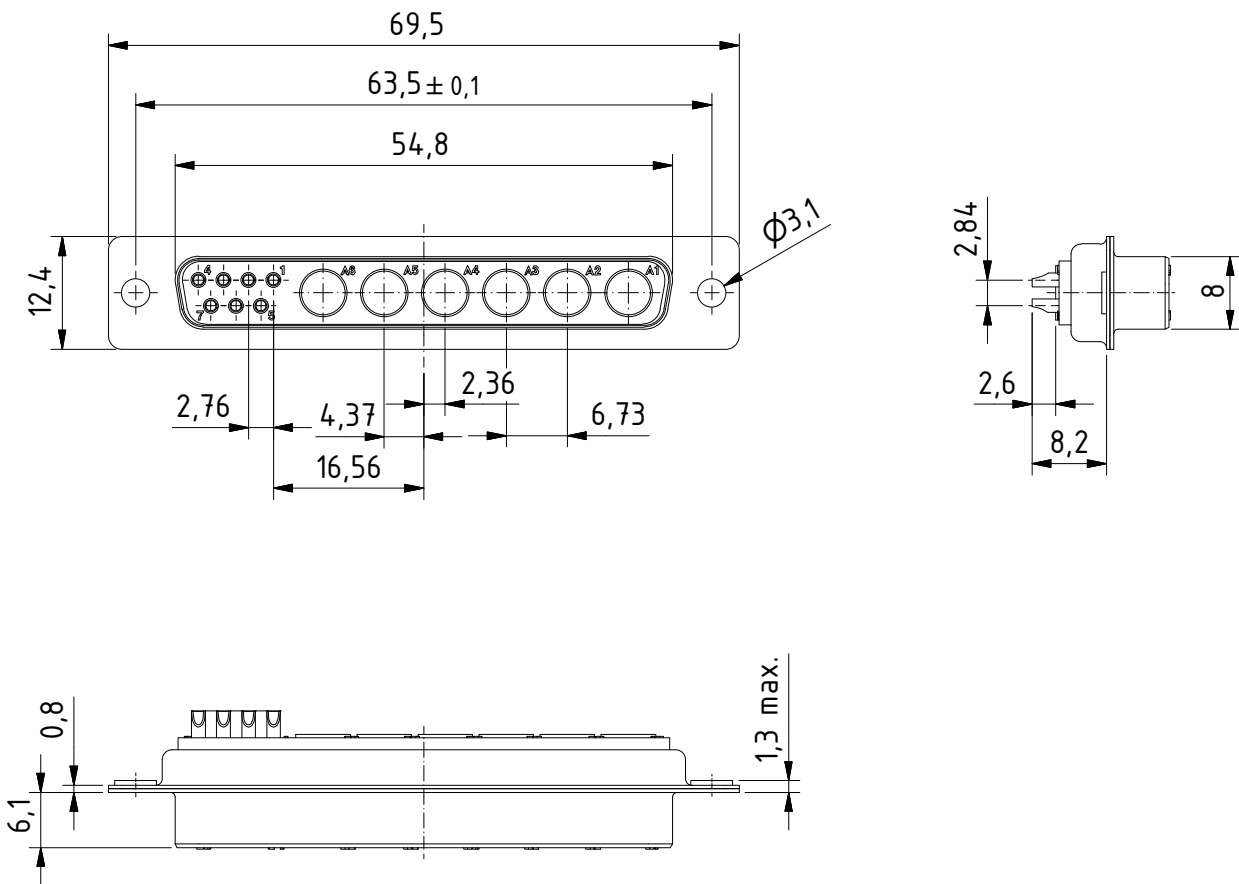
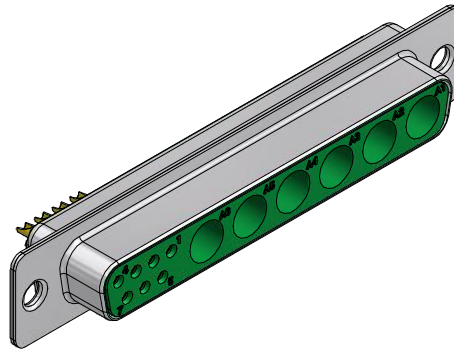


RoHS compliant



suitable for cable AWG 18



**MATERIALS**

- Insulator: Thermoplastic UL 94-V-0 green
- Contact: Copper alloy
- Contact finish: Quality class 2
- Shell: steel tin plated

**CHARAKTERISTICS**

- Working voltage: 125V
- Current rating: 5A/xxA
- Contact resistance: max. 10mΩ - DIN41652
- Insulation resistance: >5GΩ
- Temperature range: -55° to +125°C

General tolerances (Deltron standard)			
size in mm	> 0.5 up to 3	> 3 up to 6	> 6 up to 30
tolerances	±0.1	±0.2	±0.2
			±0.3

modification	Rev.	Rev.	Rev.	DE016163		
	Rev.	Rev.	Rev.	part no.		
DTS13W6SZ/2	1.2:1 scale	drawn	14.12.2012	mr		
		checked				
		approved				
 Industrie Neuhof 8c CH-3422 Kirchberg				K061049 drawing no.		