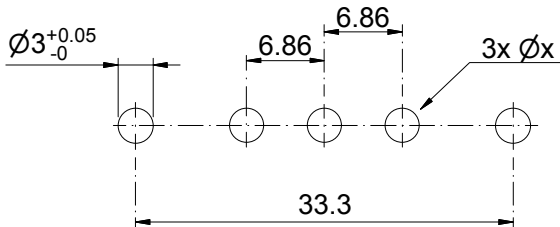
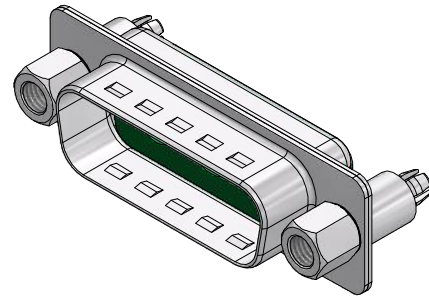
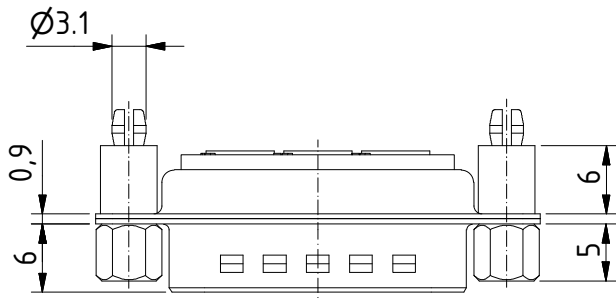
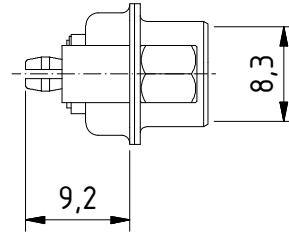
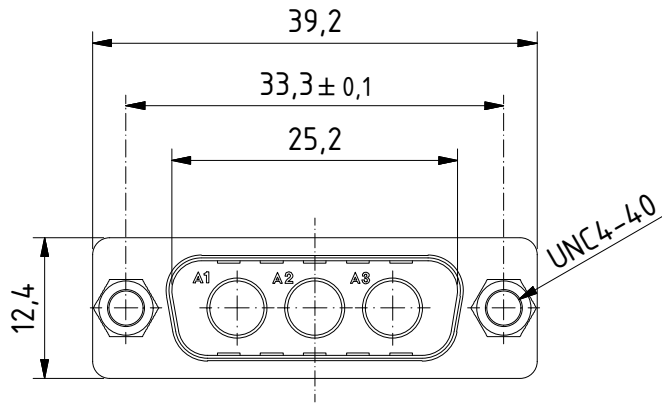


RoHS compliant



PCB Layout
tolerances +/-0.1

| General tolerances (Deltron standard) | | | |
|---------------------------------------|---------|----------|-----------|
| size in mm | | | |
| > 0.5 | > 3 | > 6 | > 30 |
| up to 3 | up to 6 | up to 30 | up to 120 |
| tolerances | | | |
| ±0.1 | ±0.2 | ±0.2 | ±0.3 |

MATERIALS

- Insulator: Thermoplastic UL 94-V-0 green
- Shell: steel tin plated

CHARAKTERISTICS

- Insulation resistance: >5GΩ
- Temperature range: -55° to +125°C

| | | | | | | |
|---|----------------|------------------------|------------|----------------------|--|--|
| modification | Rev. | Rev. | Rev. | DE016763 part no. | | |
| | Rev. | Rev. | Rev. | | | |
| DTS3W3PM86UNB5 | 1.5:1 scale | drawn | 19.07.2012 | mw | | |
| | | checked | | | | |
| | | approved | | | | |
| Industrie Neuhof 8c CH-3422 Kirchberg | | K060963 drawing no. | | | | |