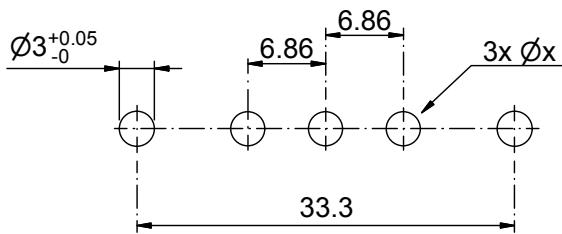
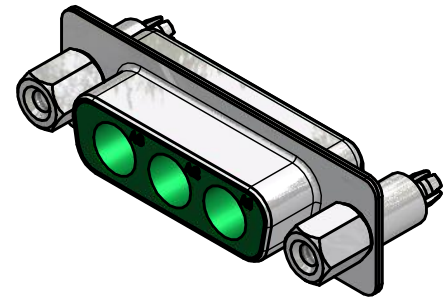
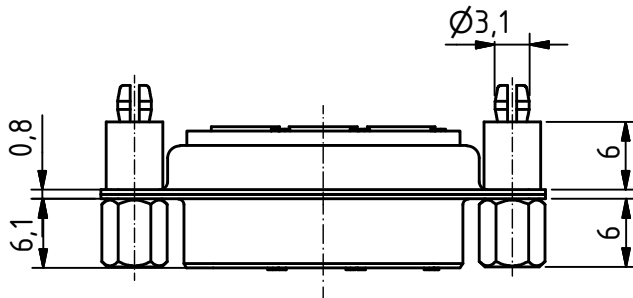
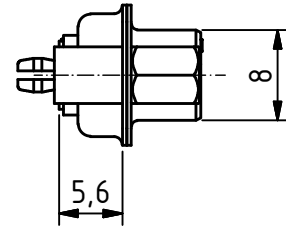
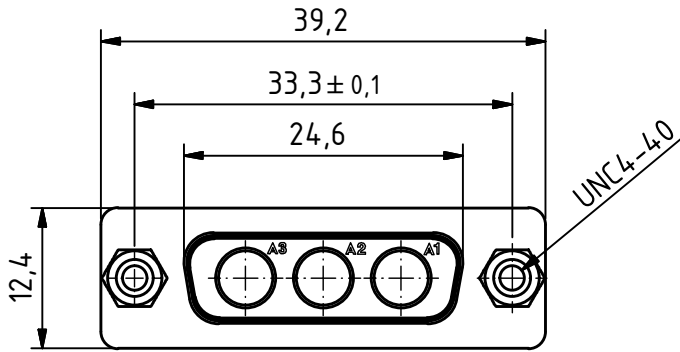


RoHS compliant



PCB Layout  
tolerances +/-0.1

General tolerances (Deltron standard)	
size in mm	tolerances
> 0.5	±0.1
up to 3	±0.2
> 3	±0.2
up to 6	±0.2
> 6	±0.2
up to 30	±0.2
> 30	±0.3
up to 120	±0.3

**MATERIALS**

- Insulator: Thermoplastic UL 94-V-0 green
- Shell: steel tin plated

**CHARAKTERISTICS**

- Insulation resistance: >5GΩ
- Temperature range: -55° to +125°C

modification	Rev.	Rev.	Rev.	DE017341		
	Rev.	Rev.	Rev.	part no.		
DTS3W3SM86UNB6	1.5:1 scale	drawn	11.08.2016	mw		
		checked				
		approved				
 Industrie Neuohof 8c CH-3422 Kirchberg		K062555 drawing no.				